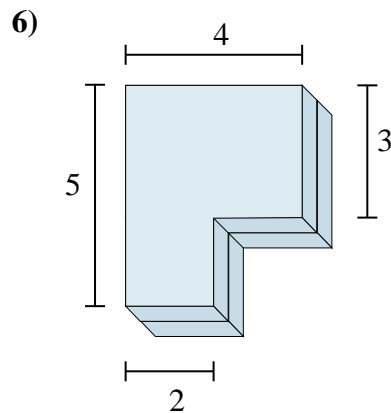
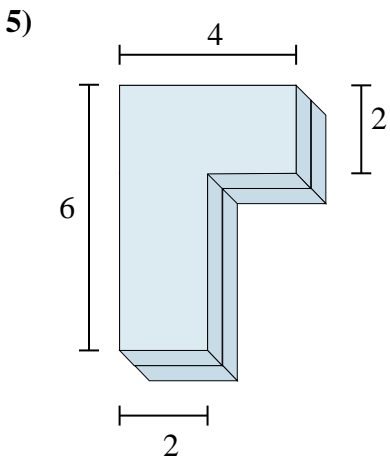
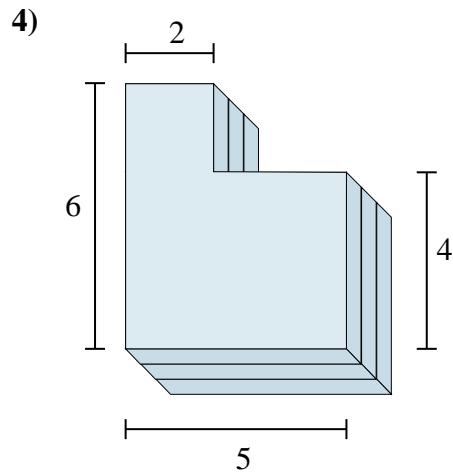
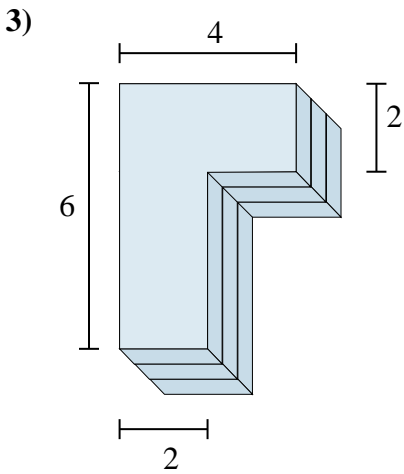
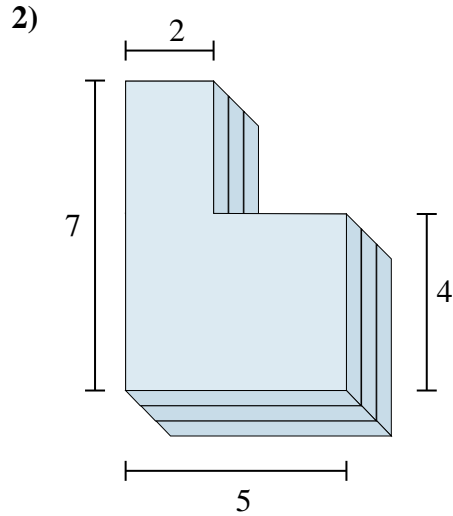
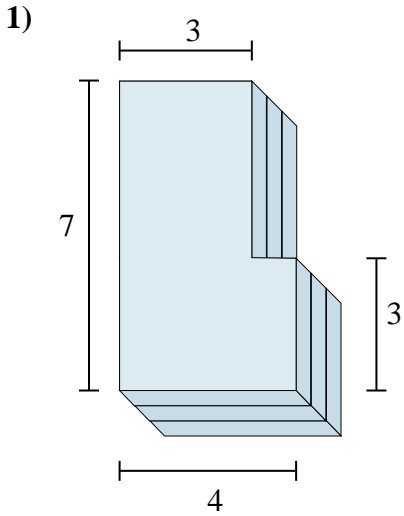




Find the total volume of each figure shown. Measured in cm (not to scale).

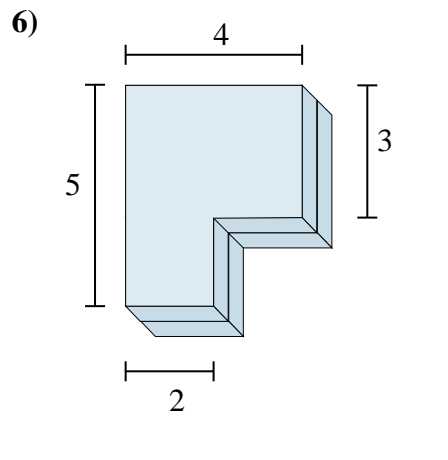
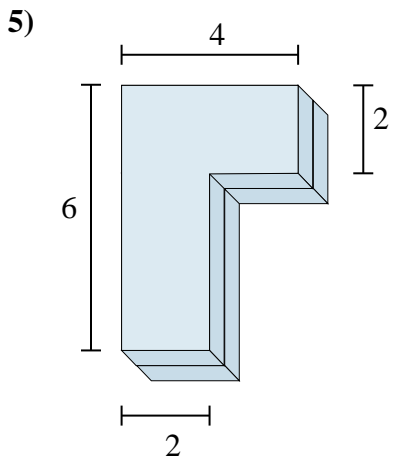
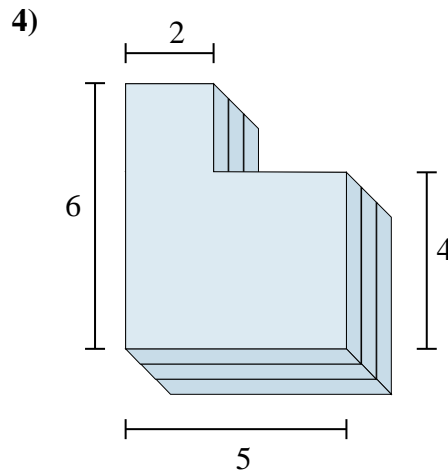
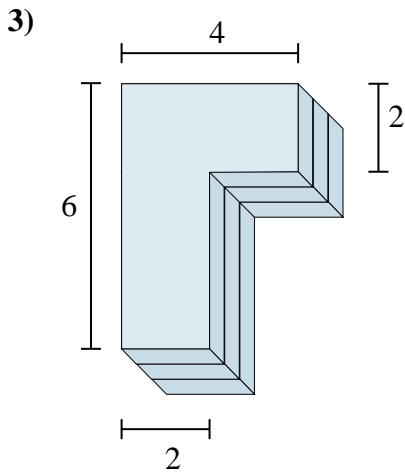
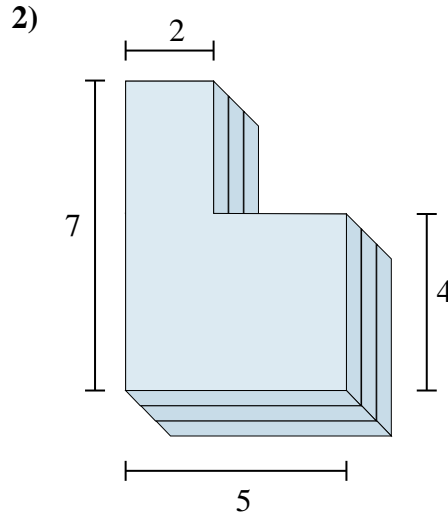
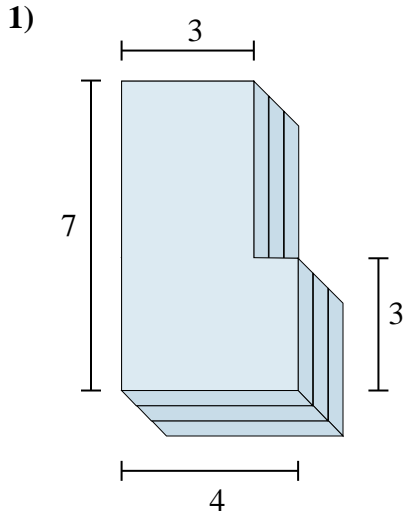
Answers



1. \_\_\_\_\_
2. \_\_\_\_\_
3. \_\_\_\_\_
4. \_\_\_\_\_
5. \_\_\_\_\_
6. \_\_\_\_\_



Find the total volume of each figure shown. Measured in cm (not to scale).



Answers

1. **72 cm<sup>3</sup>**

2. **78 cm<sup>3</sup>**

3. **48 cm<sup>3</sup>**

4. **72 cm<sup>3</sup>**

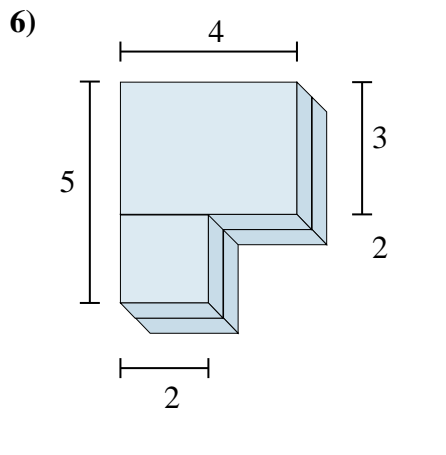
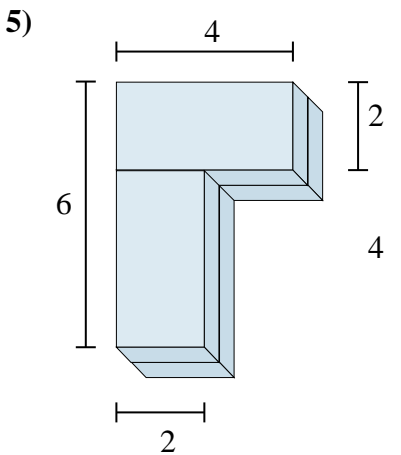
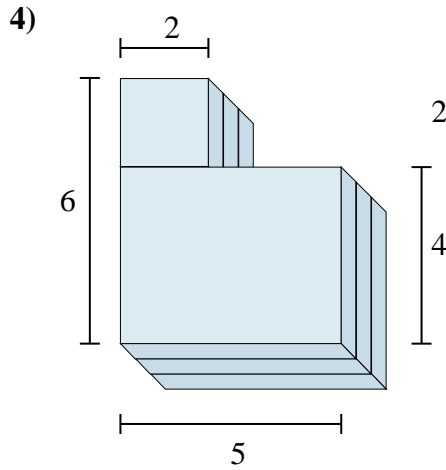
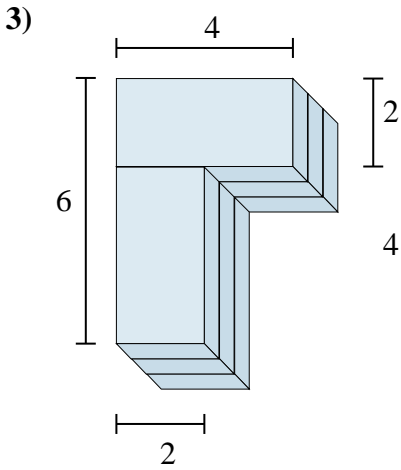
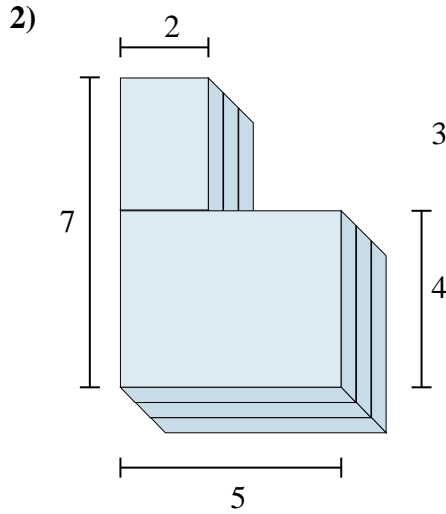
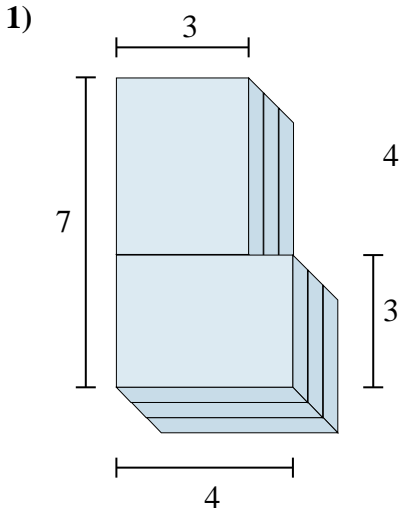
5. **32 cm<sup>3</sup>**

6. **32 cm<sup>3</sup>**



Find the total volume of each figure shown. Measured in cm (not to scale).

Answers



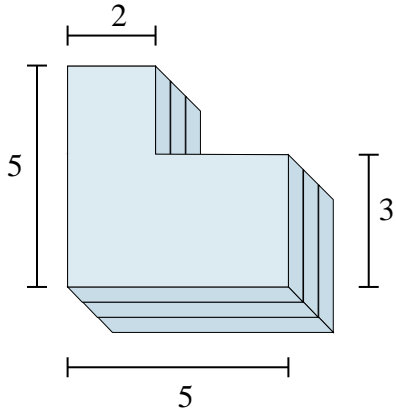
1. \_\_\_\_\_
2. \_\_\_\_\_
3. \_\_\_\_\_
4. \_\_\_\_\_
5. \_\_\_\_\_
6. \_\_\_\_\_



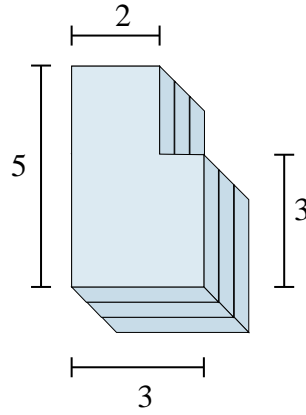
Find the total volume of each figure shown. Measured in cm (not to scale).

Answers

1)



2)



1. \_\_\_\_\_

2. \_\_\_\_\_

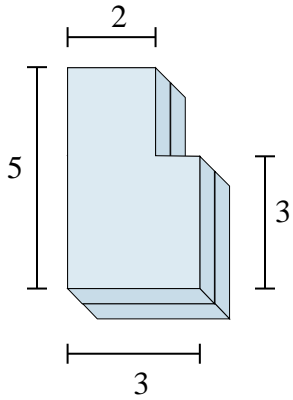
3. \_\_\_\_\_

4. \_\_\_\_\_

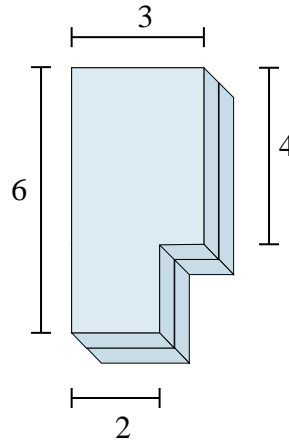
5. \_\_\_\_\_

6. \_\_\_\_\_

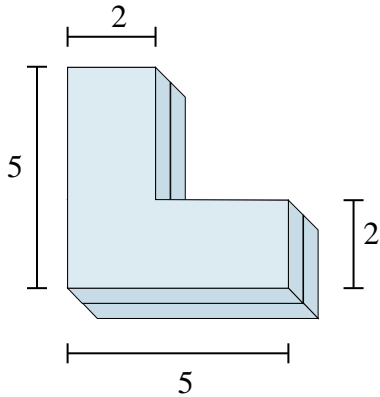
3)



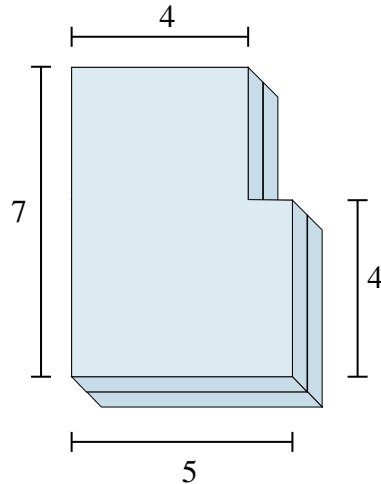
4)



5)

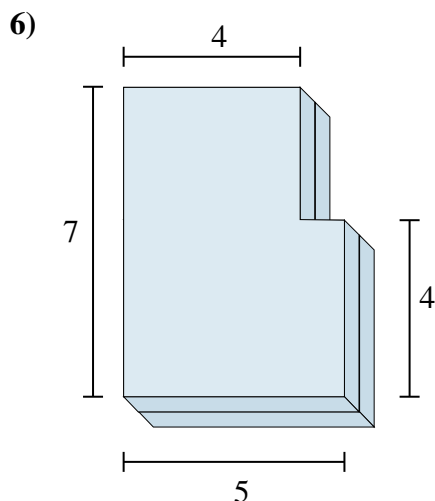
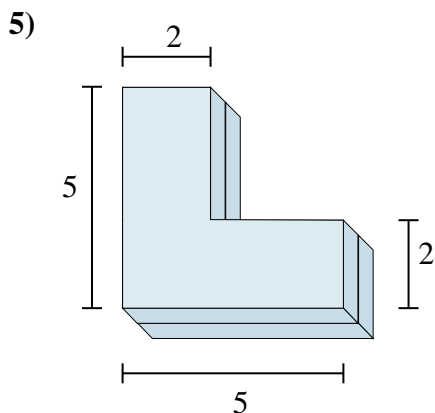
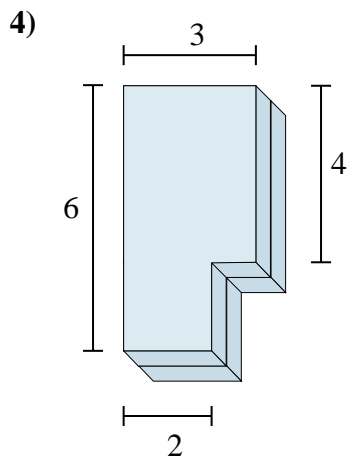
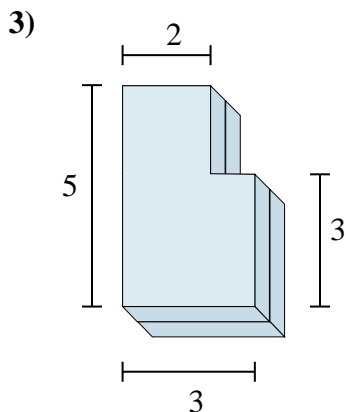
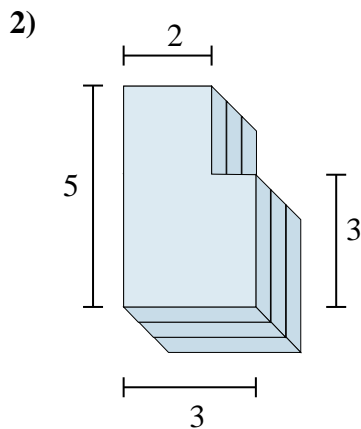
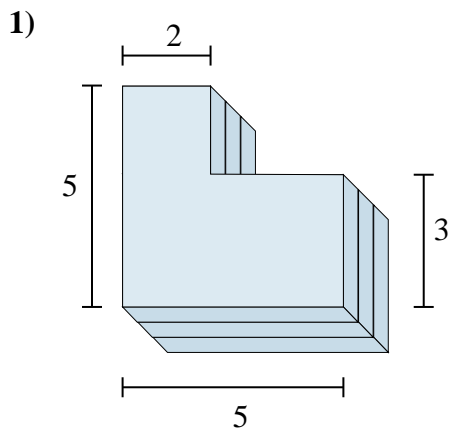


6)





Find the total volume of each figure shown. Measured in cm (not to scale).



Answers

1. **57 cm<sup>3</sup>**

2. **39 cm<sup>3</sup>**

3. **26 cm<sup>3</sup>**

4. **32 cm<sup>3</sup>**

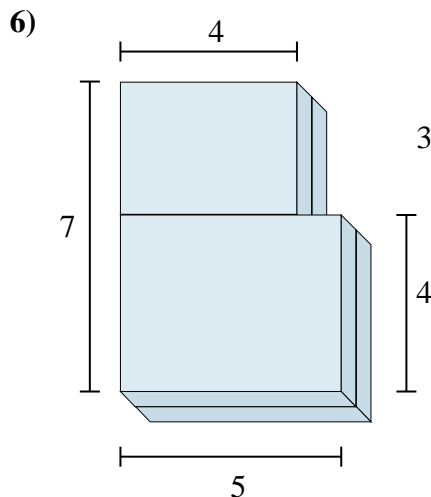
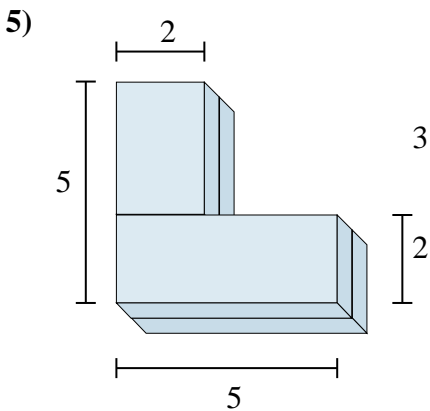
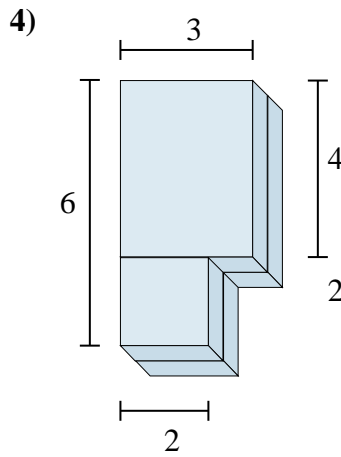
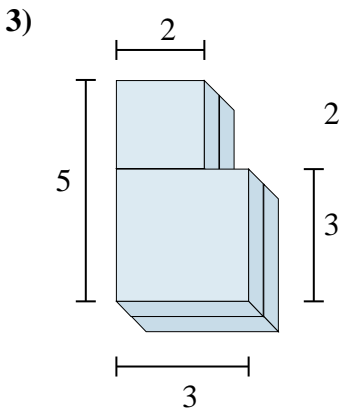
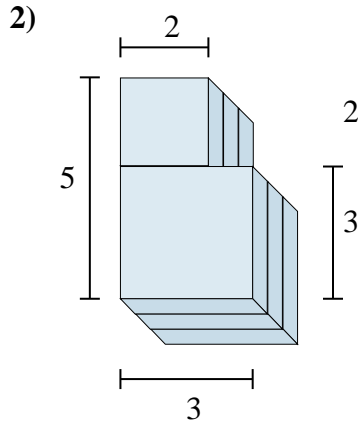
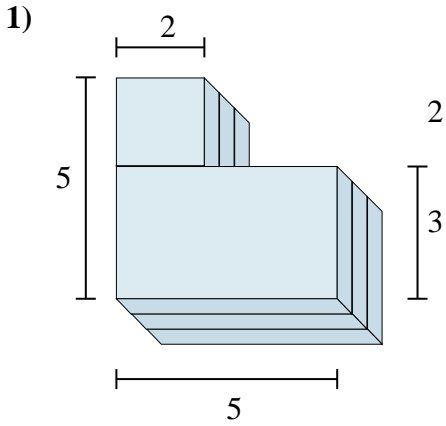
5. **32 cm<sup>3</sup>**

6. **64 cm<sup>3</sup>**



Find the total volume of each figure shown. Measured in cm (not to scale).

Answers

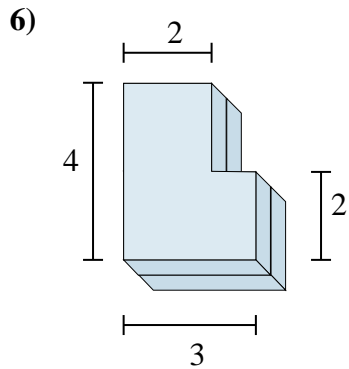
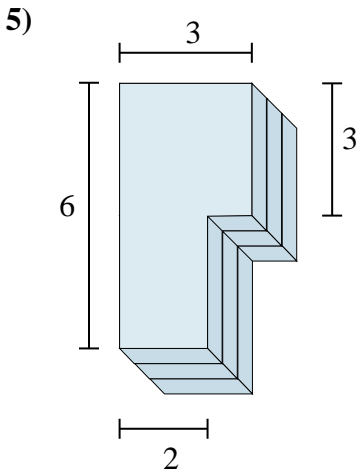
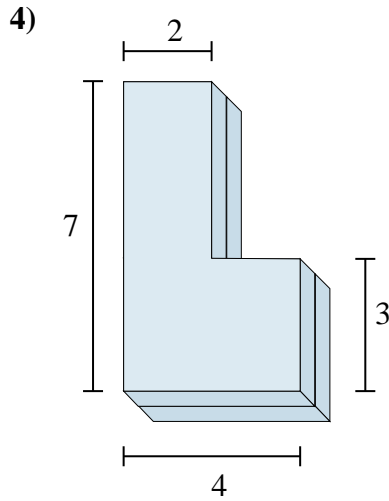
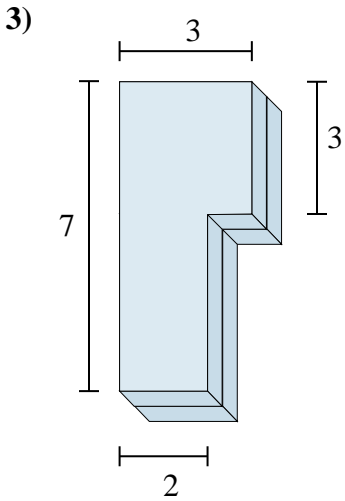
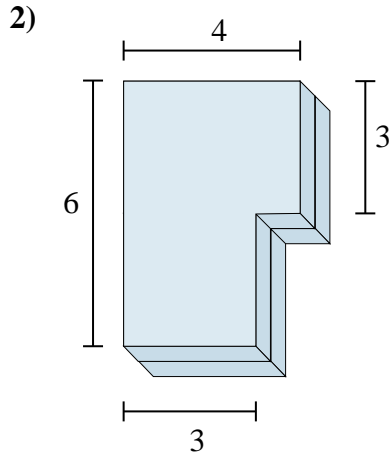
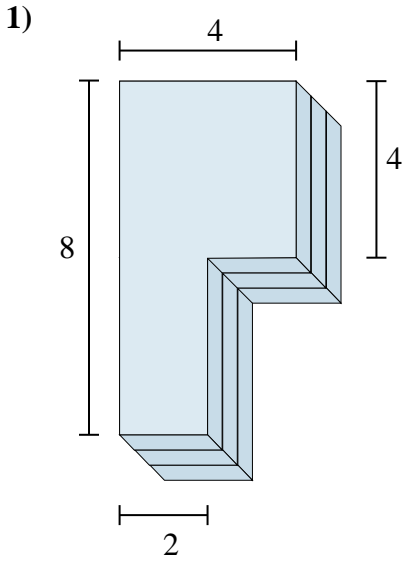


- 1. \_\_\_\_\_
- 2. \_\_\_\_\_
- 3. \_\_\_\_\_
- 4. \_\_\_\_\_
- 5. \_\_\_\_\_
- 6. \_\_\_\_\_



Find the total volume of each figure shown. Measured in cm (not to scale).

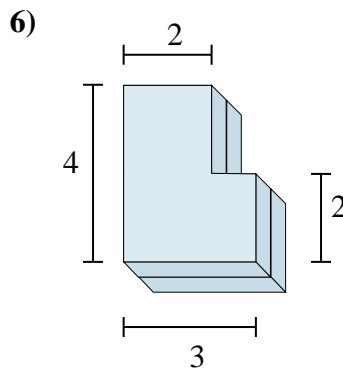
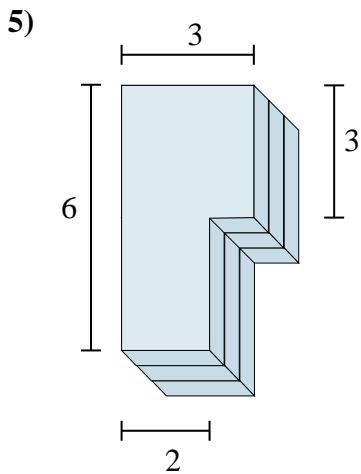
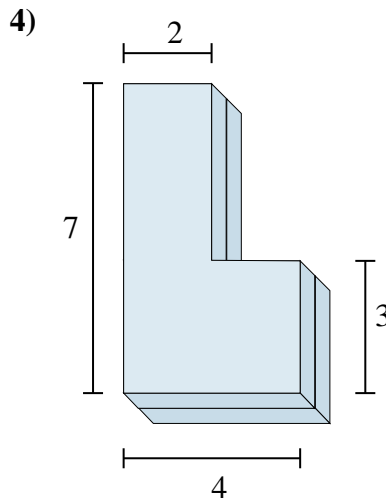
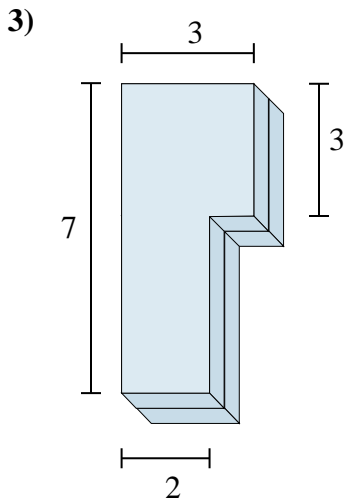
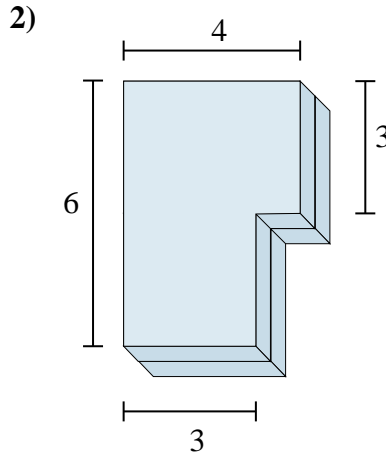
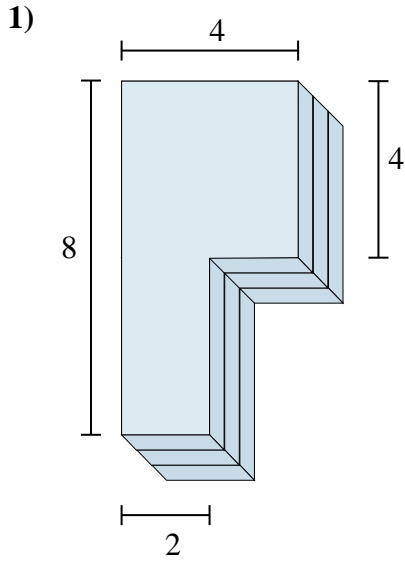
Answers



1. \_\_\_\_\_
2. \_\_\_\_\_
3. \_\_\_\_\_
4. \_\_\_\_\_
5. \_\_\_\_\_
6. \_\_\_\_\_



Find the total volume of each figure shown. Measured in cm (not to scale).



Answers

1. **72 cm<sup>3</sup>**

2. **42 cm<sup>3</sup>**

3. **34 cm<sup>3</sup>**

4. **40 cm<sup>3</sup>**

5. **45 cm<sup>3</sup>**

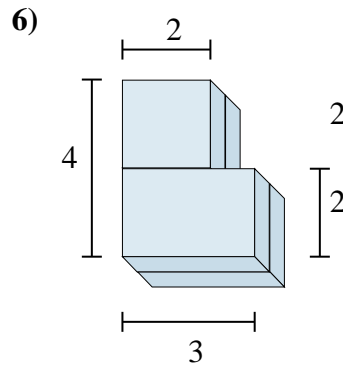
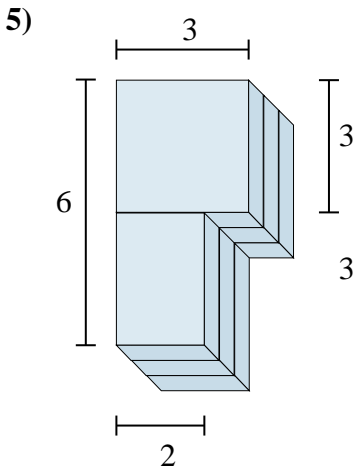
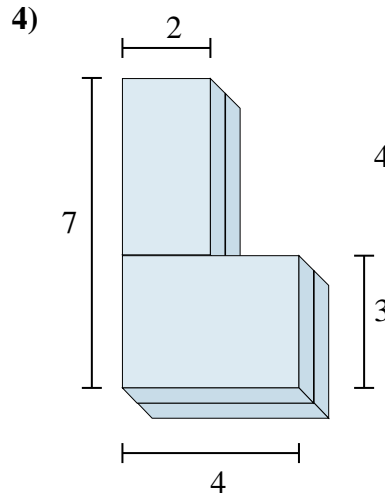
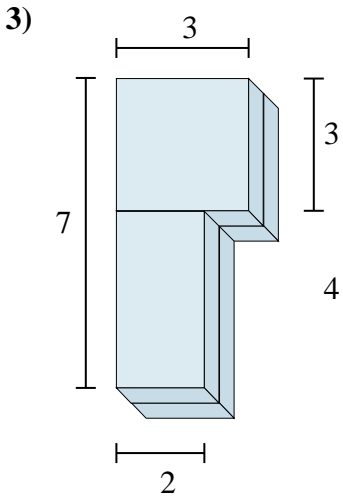
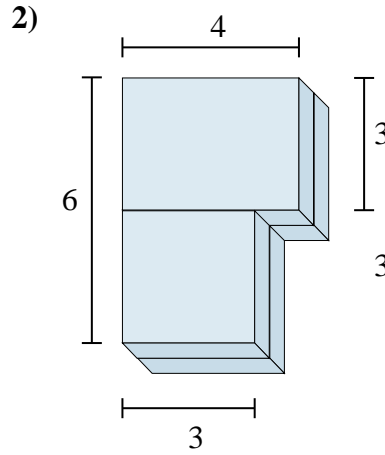
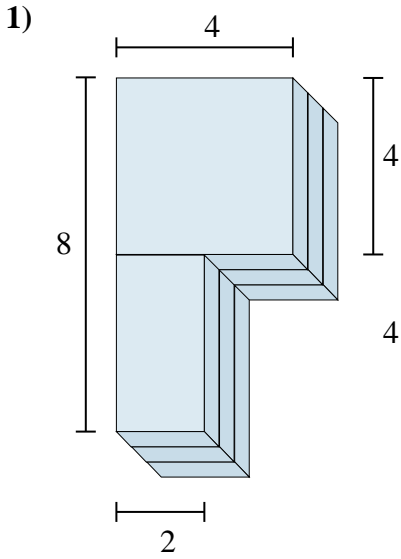
6. **20 cm<sup>3</sup>**





Find the total volume of each figure shown. Measured in cm (not to scale).

Answers



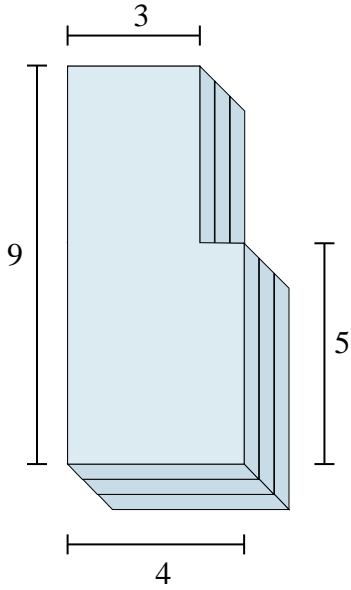
1. \_\_\_\_\_
2. \_\_\_\_\_
3. \_\_\_\_\_
4. \_\_\_\_\_
5. \_\_\_\_\_
6. \_\_\_\_\_



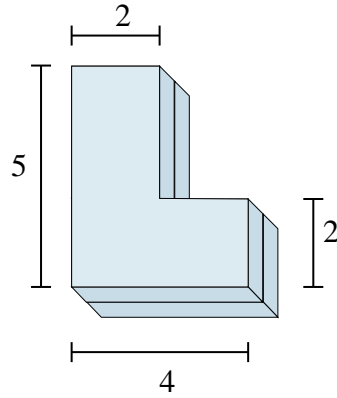
Find the total volume of each figure shown. Measured in cm (not to scale).

Answers

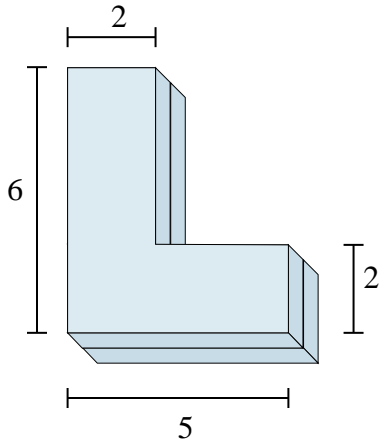
1)



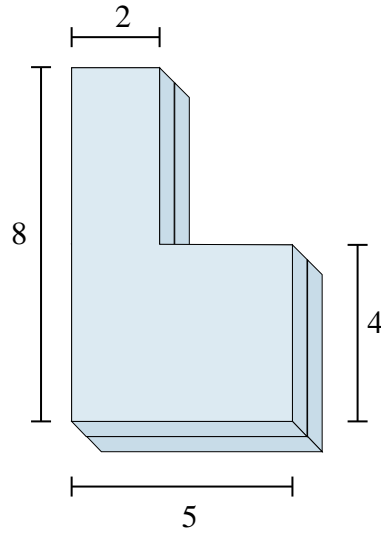
2)



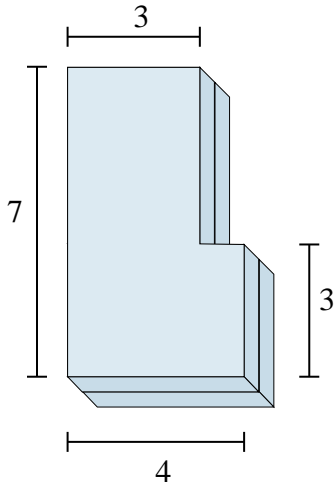
3)



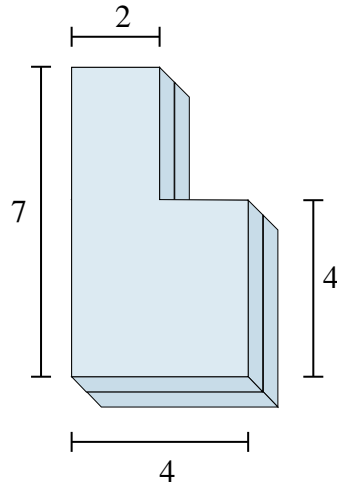
4)



5)



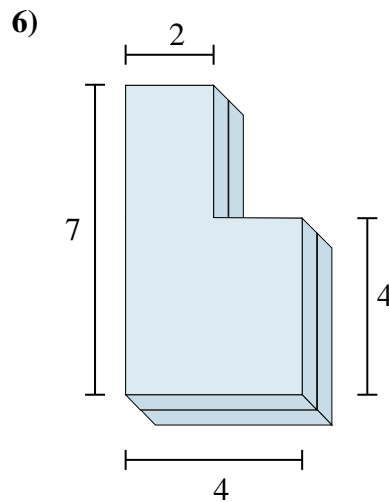
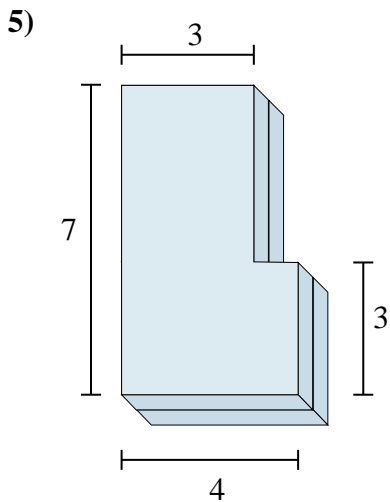
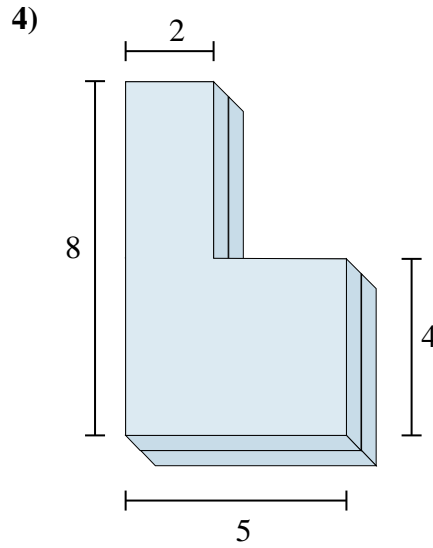
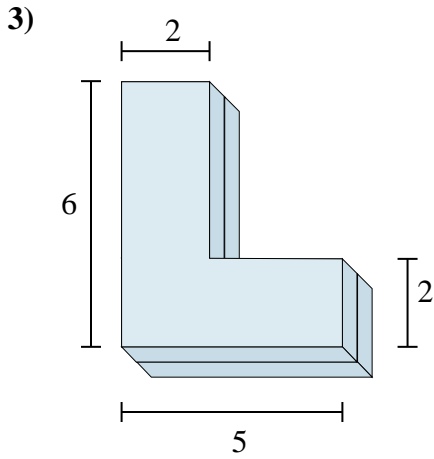
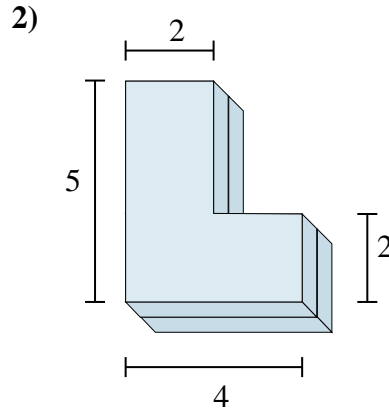
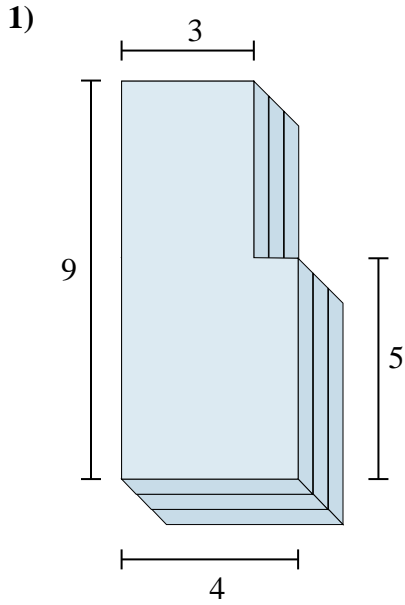
6)



- 1. \_\_\_\_\_
- 2. \_\_\_\_\_
- 3. \_\_\_\_\_
- 4. \_\_\_\_\_
- 5. \_\_\_\_\_
- 6. \_\_\_\_\_



Find the total volume of each figure shown. Measured in cm (not to scale).



Answers

1. **96 cm<sup>3</sup>**

2. **28 cm<sup>3</sup>**

3. **36 cm<sup>3</sup>**

4. **56 cm<sup>3</sup>**

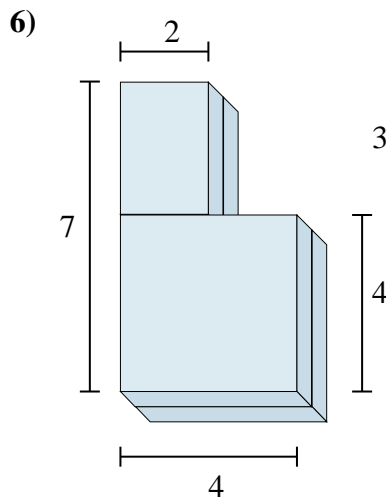
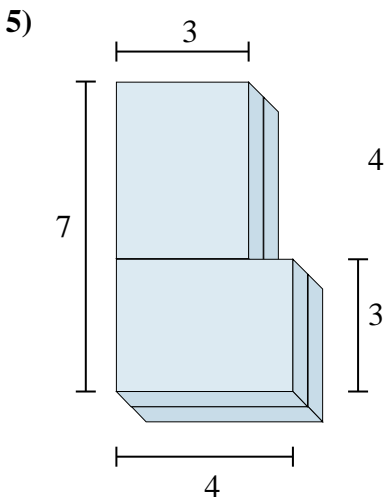
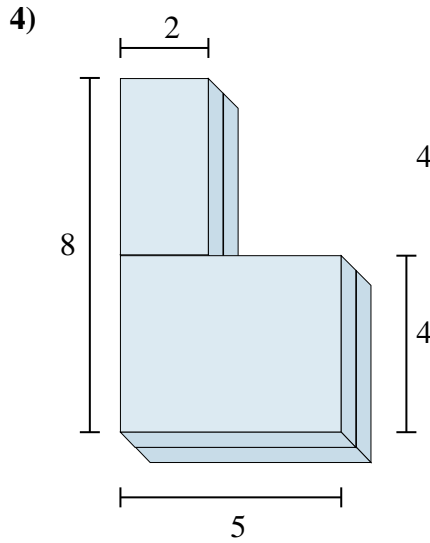
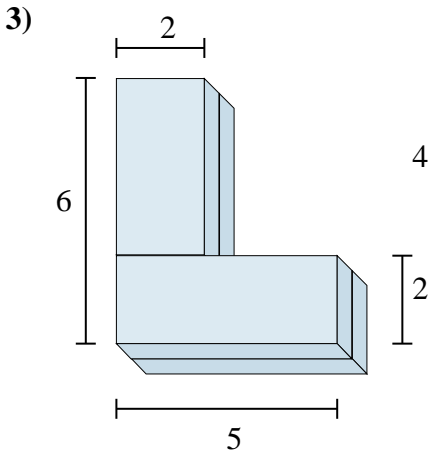
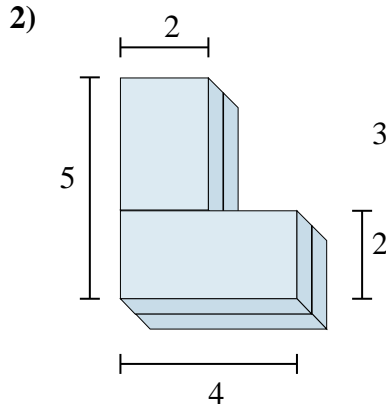
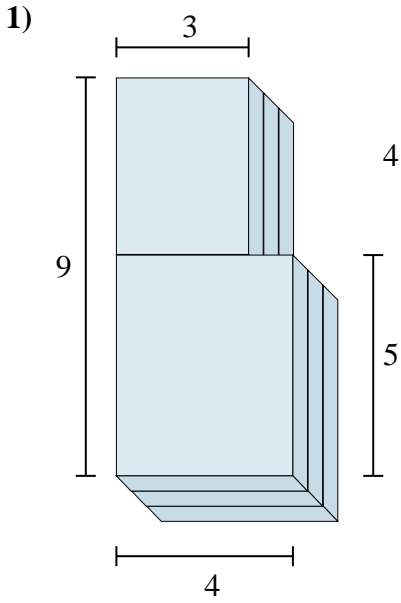
5. **48 cm<sup>3</sup>**

6. **44 cm<sup>3</sup>**



Find the total volume of each figure shown. Measured in cm (not to scale).

Answers

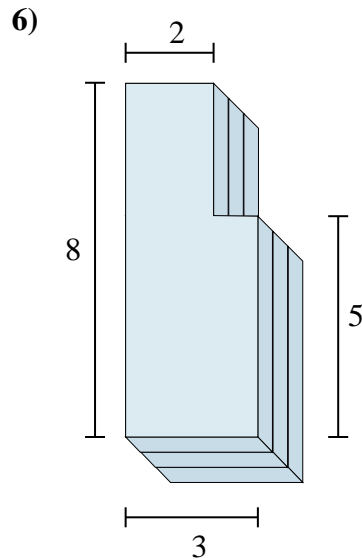
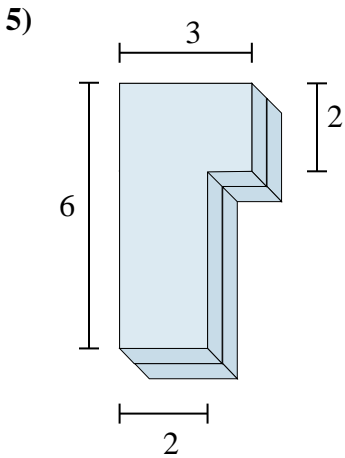
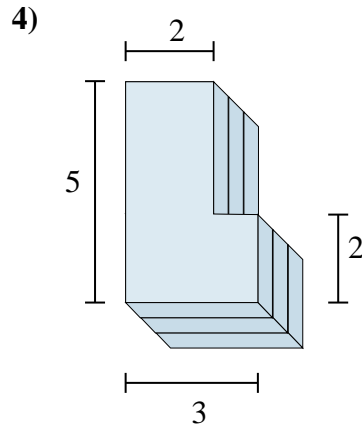
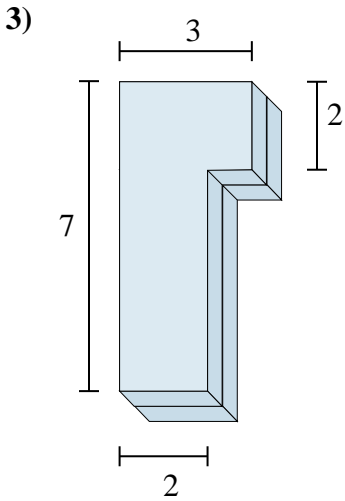
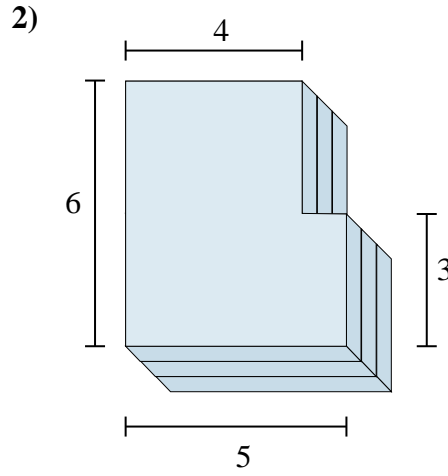
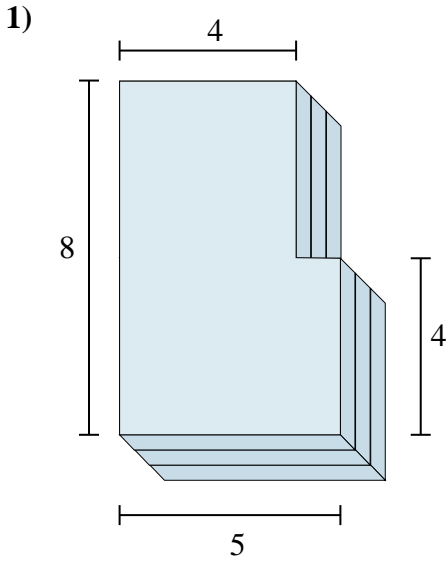


1. \_\_\_\_\_
2. \_\_\_\_\_
3. \_\_\_\_\_
4. \_\_\_\_\_
5. \_\_\_\_\_
6. \_\_\_\_\_



Find the total volume of each figure shown. Measured in cm (not to scale).

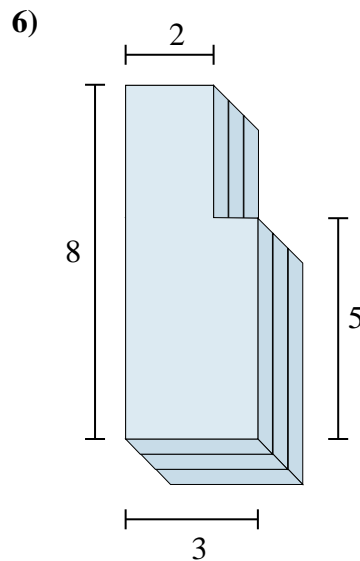
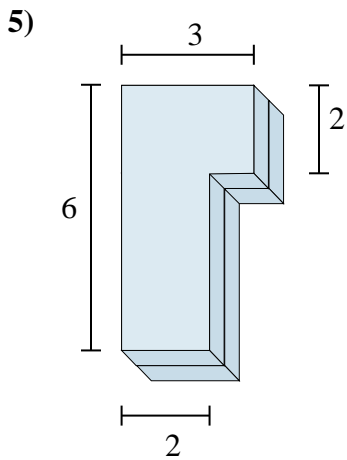
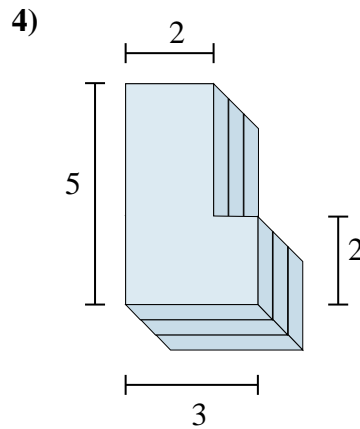
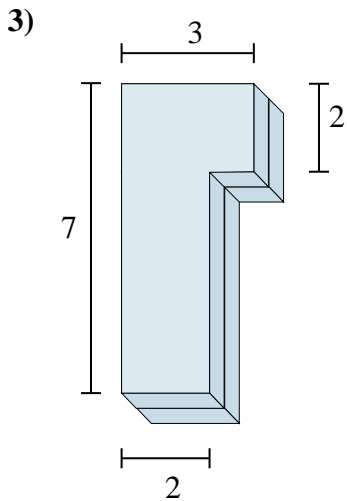
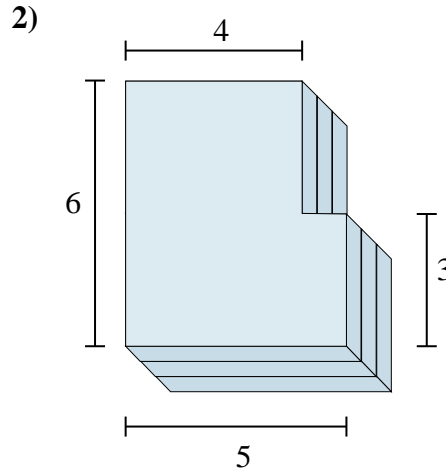
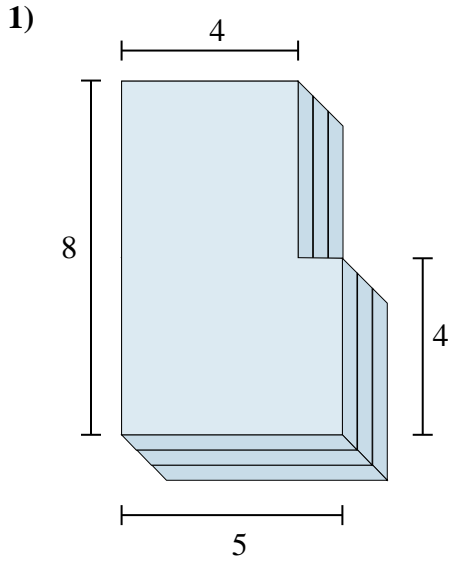
Answers



1. \_\_\_\_\_
2. \_\_\_\_\_
3. \_\_\_\_\_
4. \_\_\_\_\_
5. \_\_\_\_\_
6. \_\_\_\_\_



Find the total volume of each figure shown. Measured in cm (not to scale).



Answers

1. **108 cm<sup>3</sup>**

2. **81 cm<sup>3</sup>**

3. **32 cm<sup>3</sup>**

4. **36 cm<sup>3</sup>**

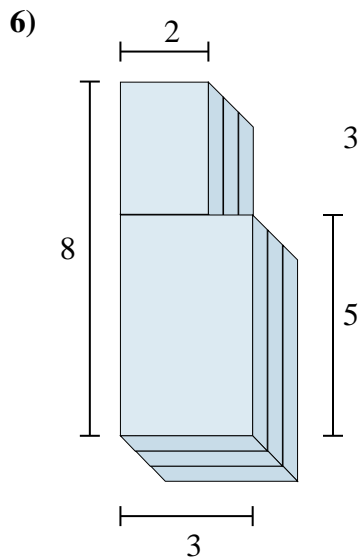
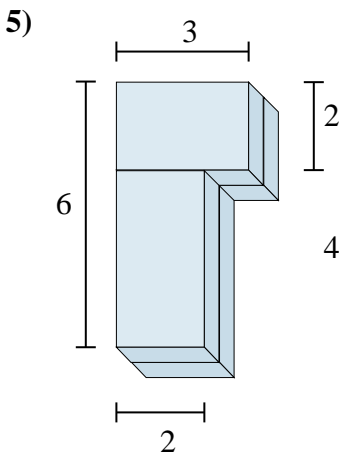
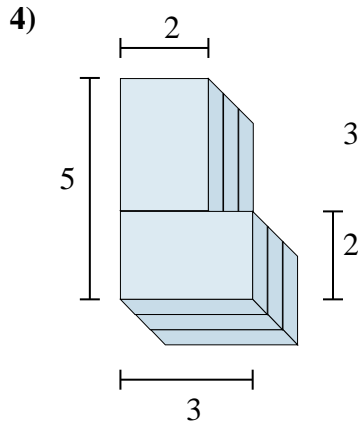
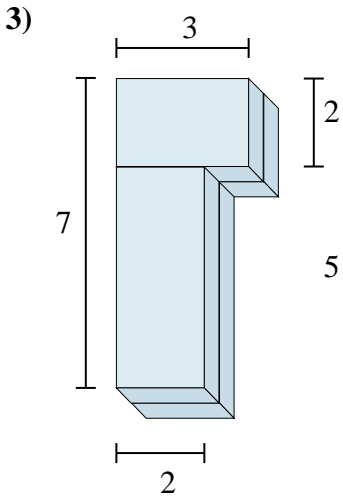
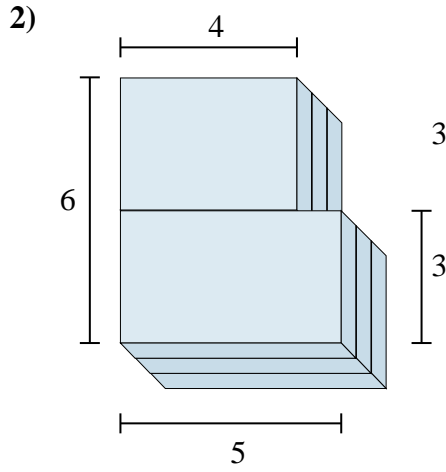
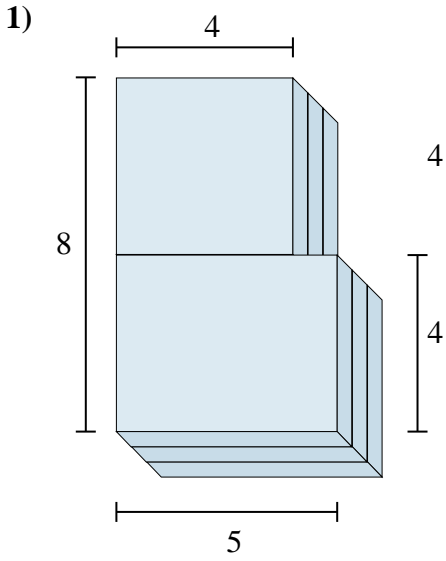
5. **28 cm<sup>3</sup>**

6. **63 cm<sup>3</sup>**



Find the total volume of each figure shown. Measured in cm (not to scale).

Answers

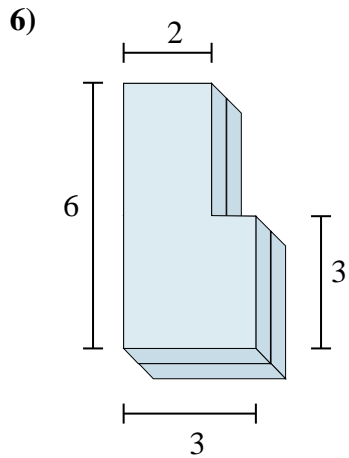
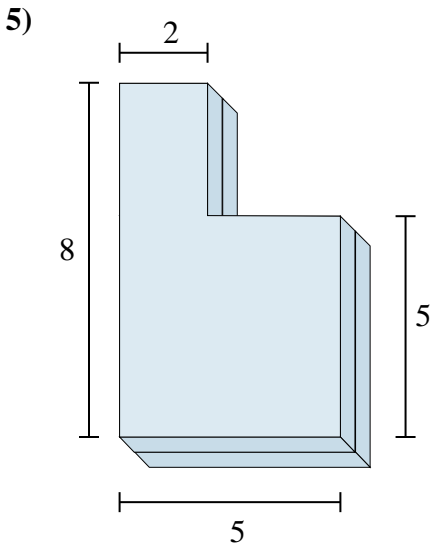
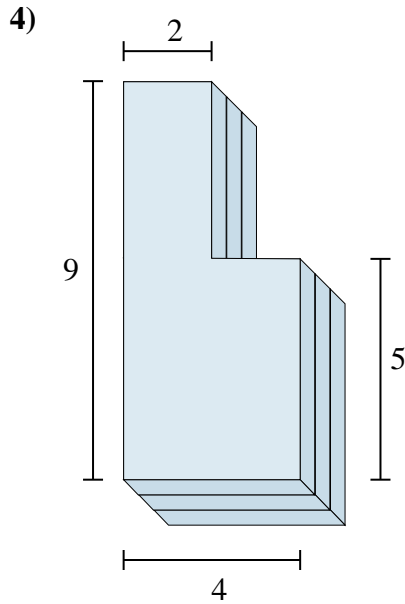
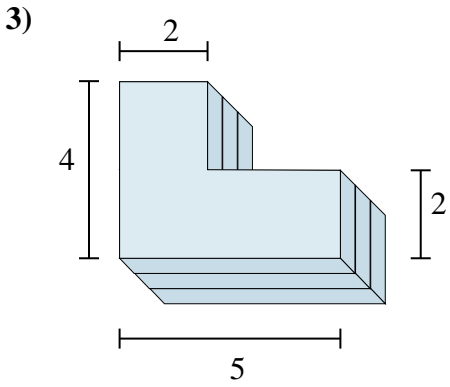
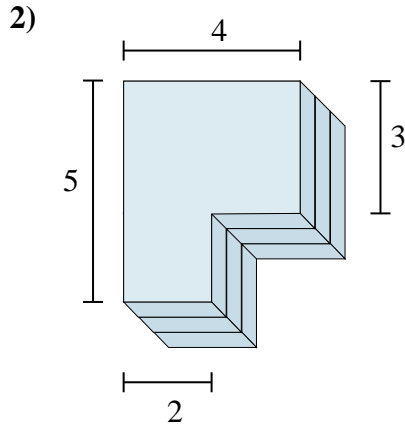
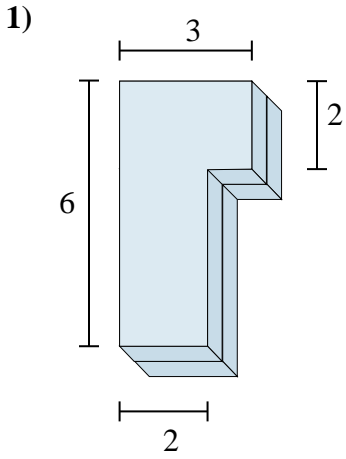


1. \_\_\_\_\_
2. \_\_\_\_\_
3. \_\_\_\_\_
4. \_\_\_\_\_
5. \_\_\_\_\_
6. \_\_\_\_\_



Find the total volume of each figure shown. Measured in cm (not to scale).

Answers

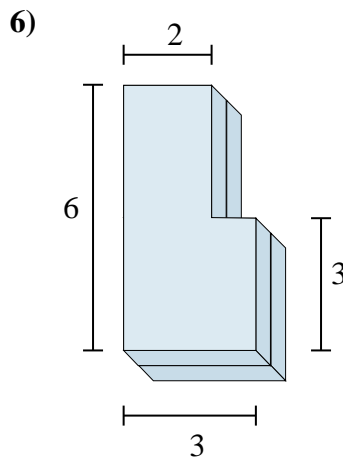
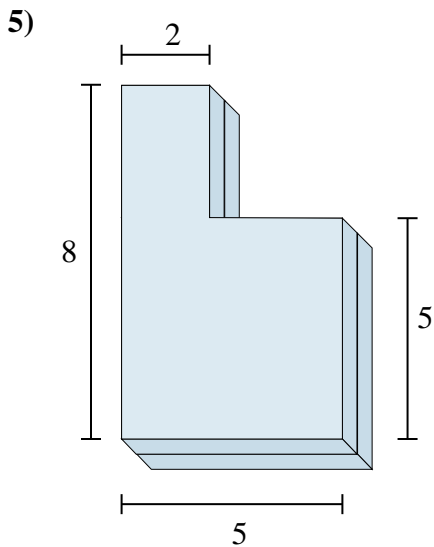
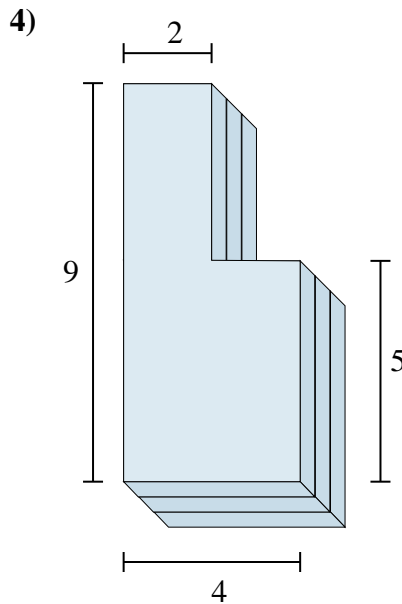
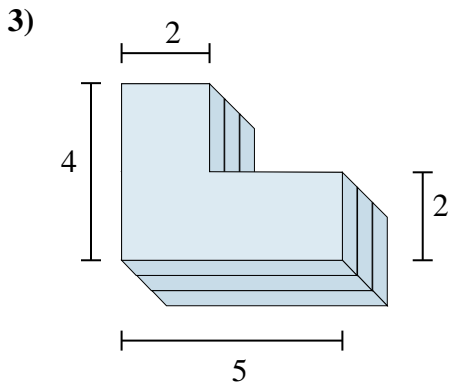
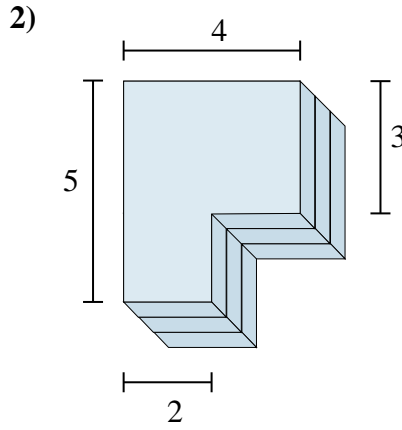
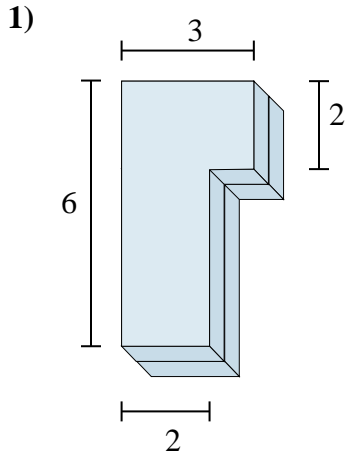


- 1. \_\_\_\_\_
- 2. \_\_\_\_\_
- 3. \_\_\_\_\_
- 4. \_\_\_\_\_
- 5. \_\_\_\_\_
- 6. \_\_\_\_\_





Find the total volume of each figure shown. Measured in cm (not to scale).



Answers

1. **28 cm<sup>3</sup>**

2. **48 cm<sup>3</sup>**

3. **42 cm<sup>3</sup>**

4. **84 cm<sup>3</sup>**

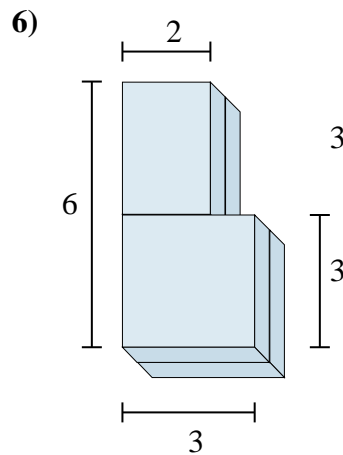
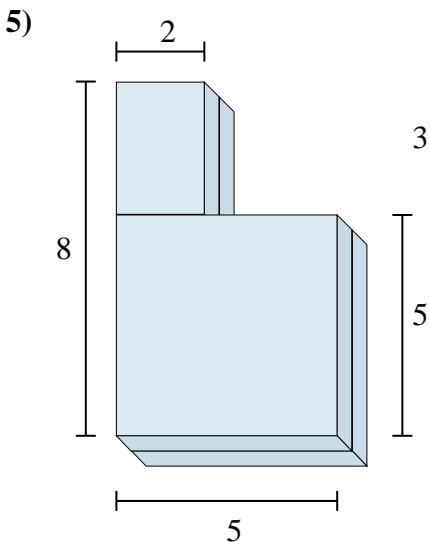
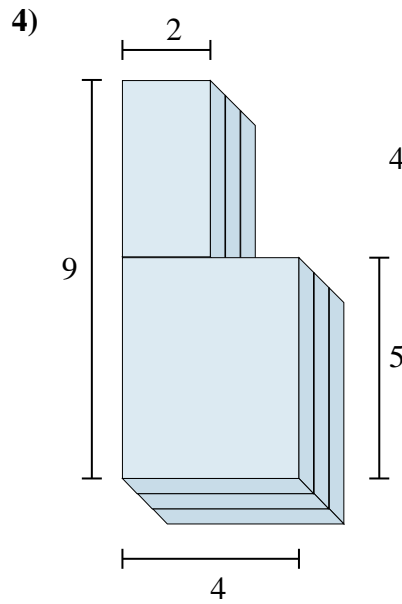
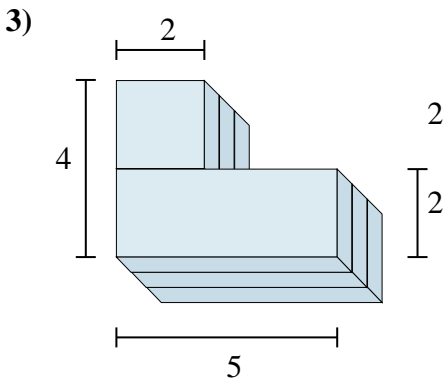
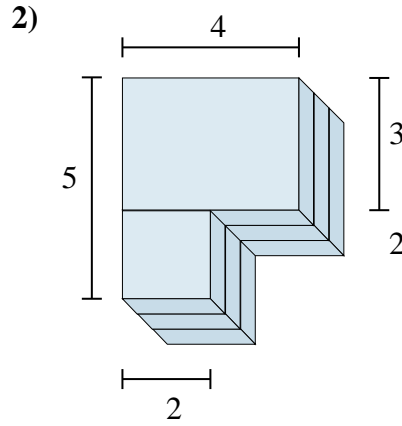
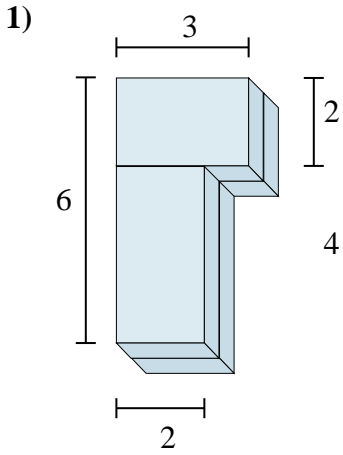
5. **62 cm<sup>3</sup>**

6. **30 cm<sup>3</sup>**



Find the total volume of each figure shown. Measured in cm (not to scale).

Answers



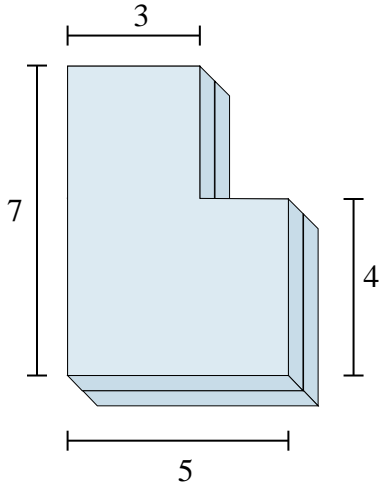
- 1. \_\_\_\_\_
- 2. \_\_\_\_\_
- 3. \_\_\_\_\_
- 4. \_\_\_\_\_
- 5. \_\_\_\_\_
- 6. \_\_\_\_\_



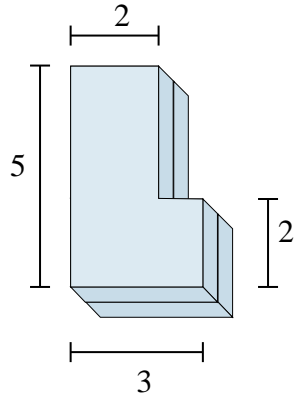
Find the total volume of each figure shown. Measured in cm (not to scale).

Answers

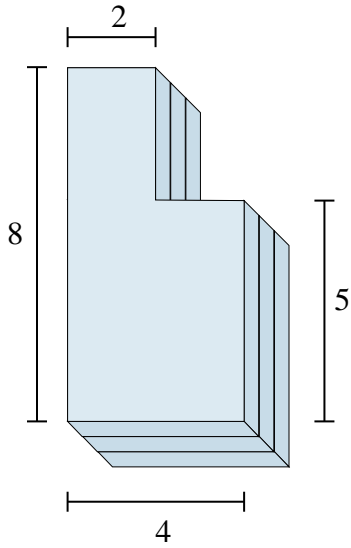
1)



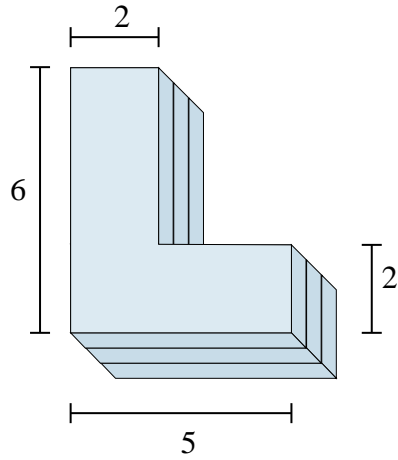
2)



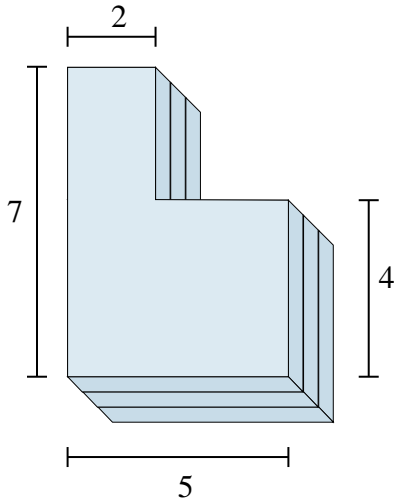
3)



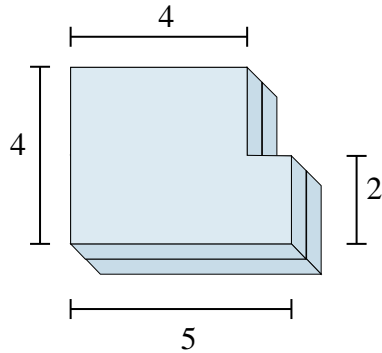
4)



5)



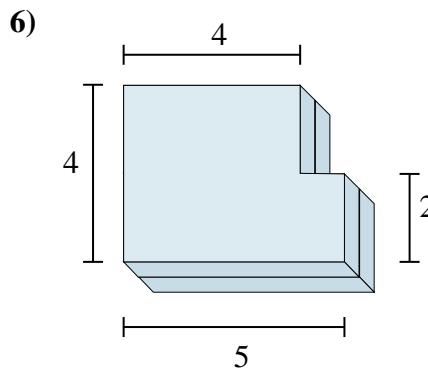
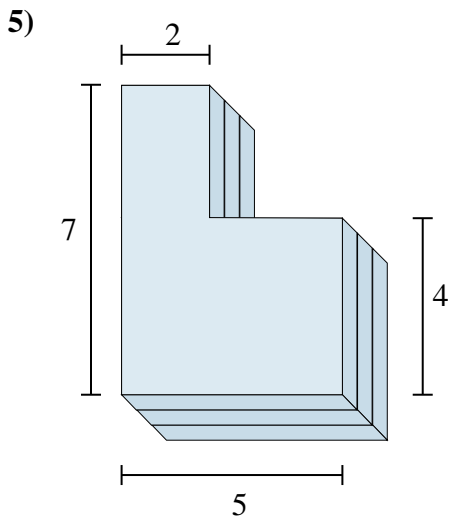
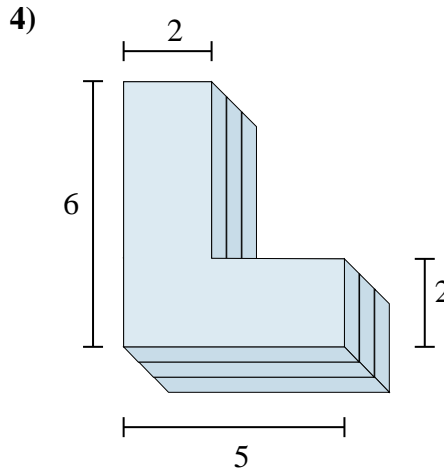
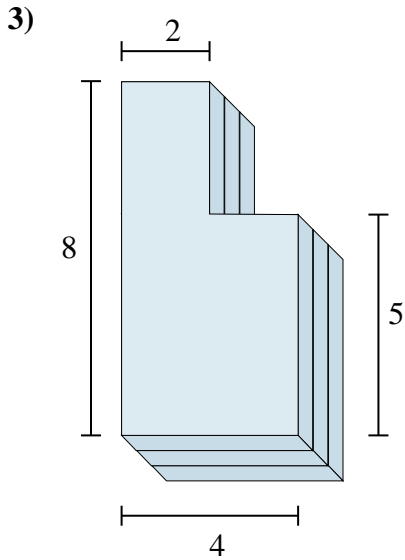
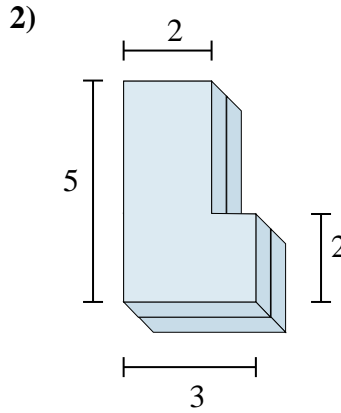
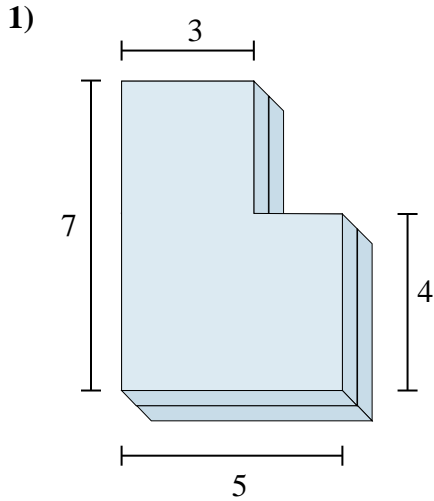
6)



- 1. \_\_\_\_\_
- 2. \_\_\_\_\_
- 3. \_\_\_\_\_
- 4. \_\_\_\_\_
- 5. \_\_\_\_\_
- 6. \_\_\_\_\_



Find the total volume of each figure shown. Measured in cm (not to scale).



Answers

1. **58 cm<sup>3</sup>**

2. **24 cm<sup>3</sup>**

3. **78 cm<sup>3</sup>**

4. **54 cm<sup>3</sup>**

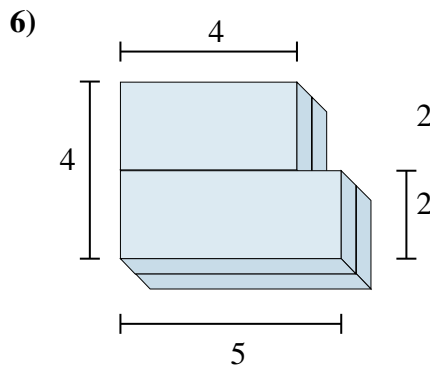
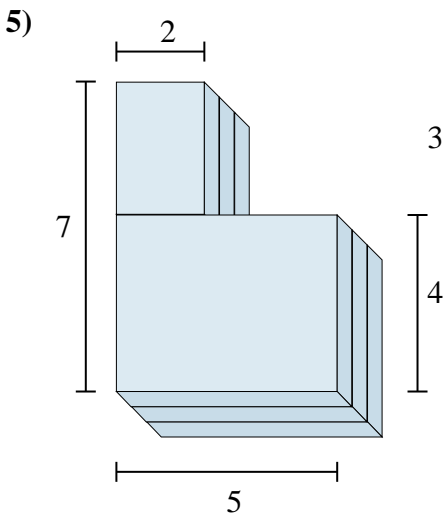
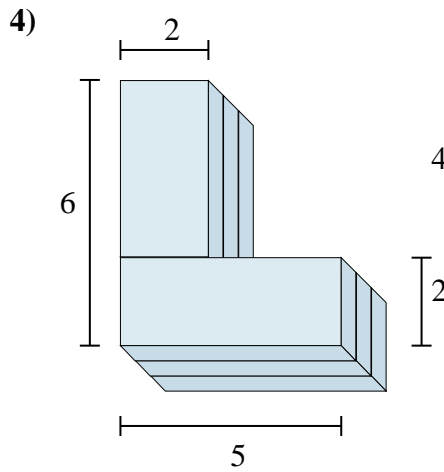
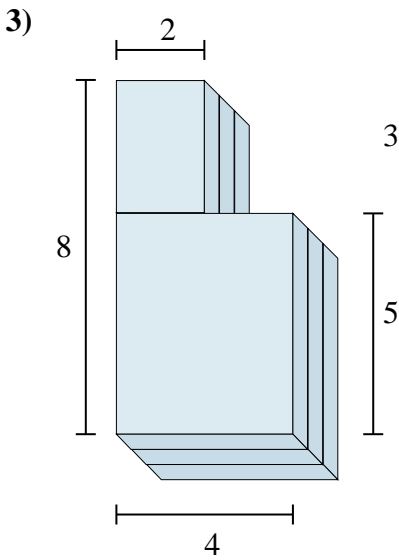
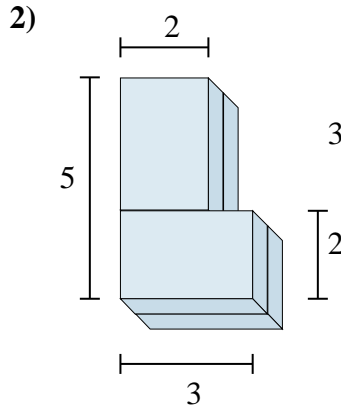
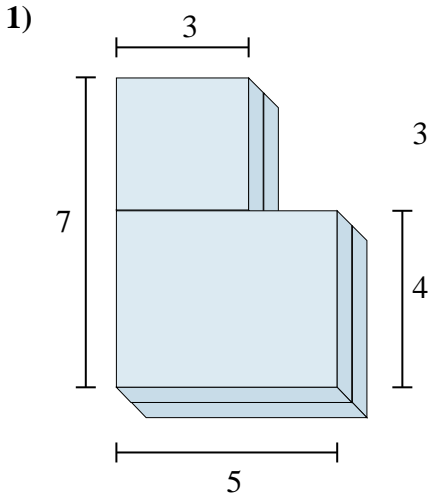
5. **78 cm<sup>3</sup>**

6. **36 cm<sup>3</sup>**



Find the total volume of each figure shown. Measured in cm (not to scale).

Answers

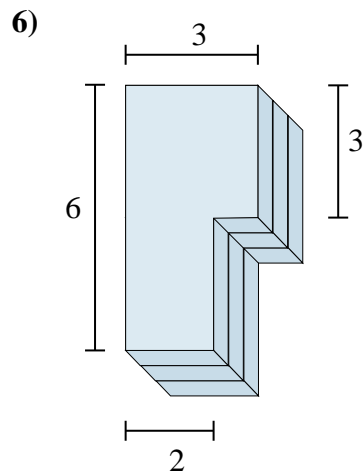
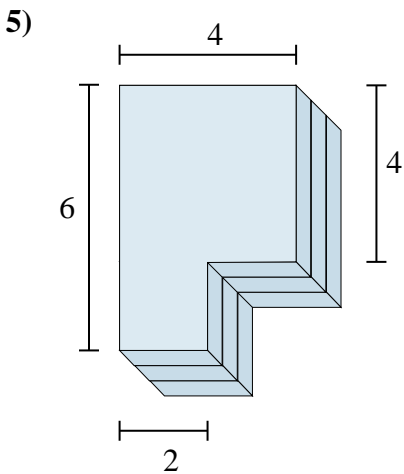
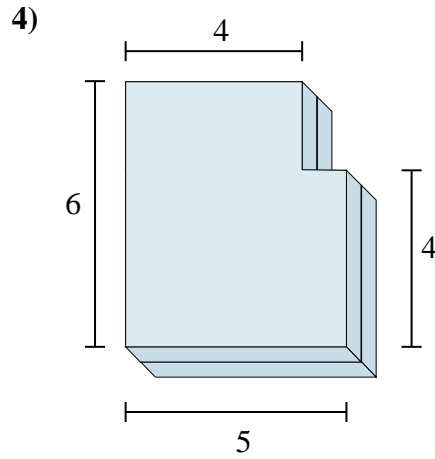
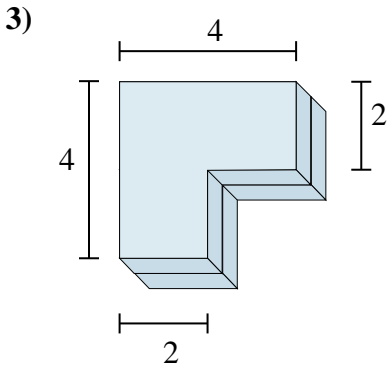
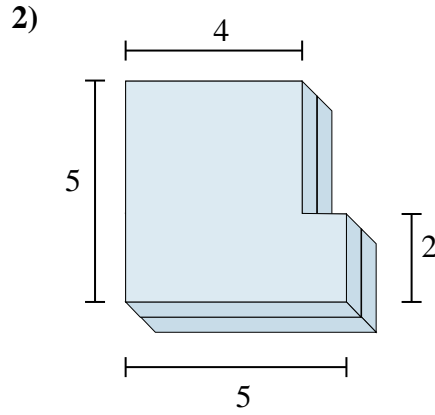
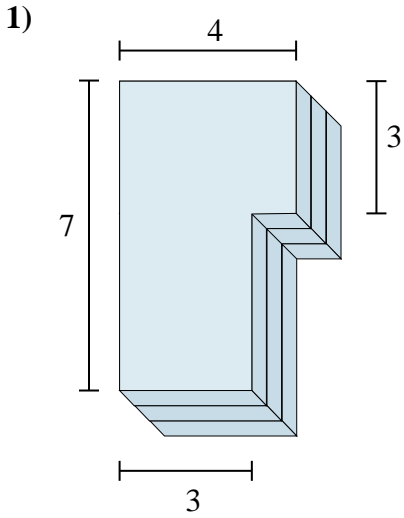


1. \_\_\_\_\_
2. \_\_\_\_\_
3. \_\_\_\_\_
4. \_\_\_\_\_
5. \_\_\_\_\_
6. \_\_\_\_\_



Find the total volume of each figure shown. Measured in cm (not to scale).

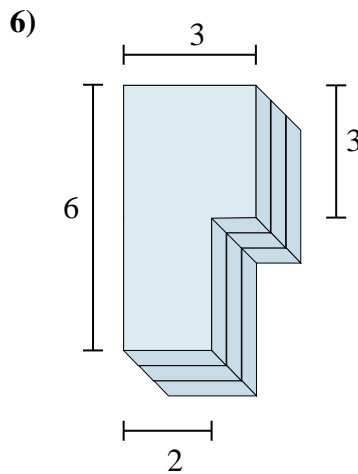
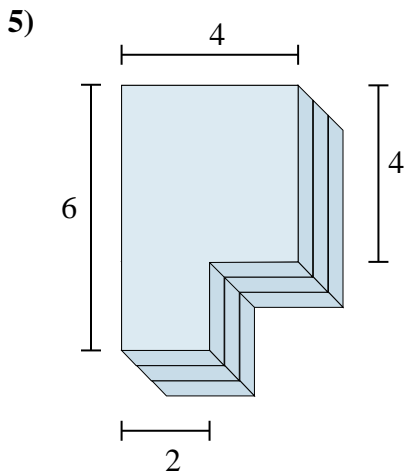
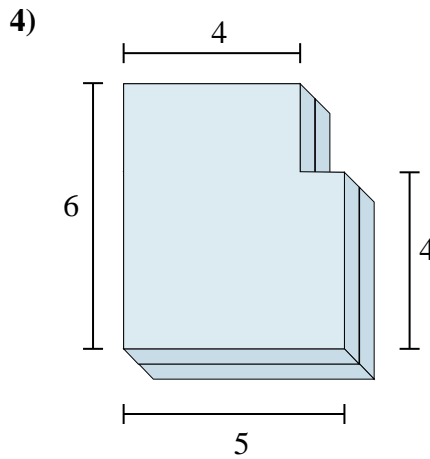
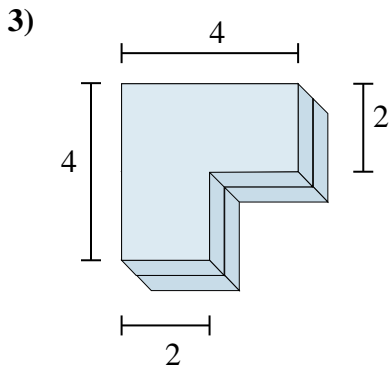
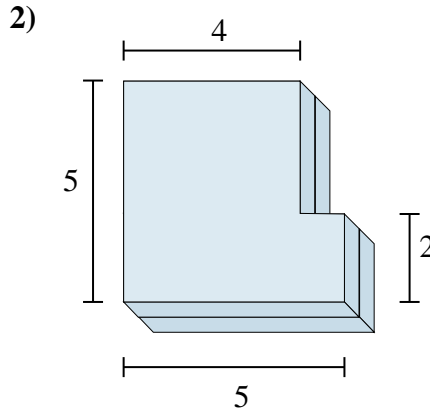
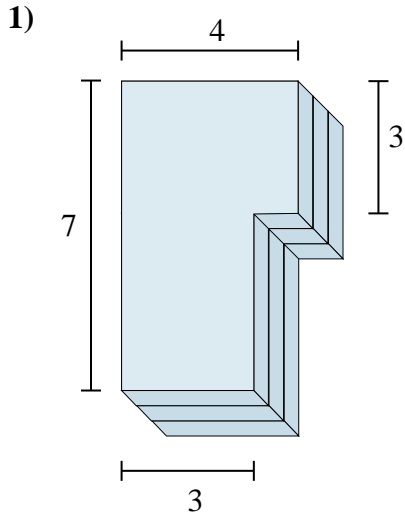
Answers



- 1. \_\_\_\_\_
- 2. \_\_\_\_\_
- 3. \_\_\_\_\_
- 4. \_\_\_\_\_
- 5. \_\_\_\_\_
- 6. \_\_\_\_\_



Find the total volume of each figure shown. Measured in cm (not to scale).



Answers

1. **72 cm<sup>3</sup>**

2. **44 cm<sup>3</sup>**

3. **24 cm<sup>3</sup>**

4. **56 cm<sup>3</sup>**

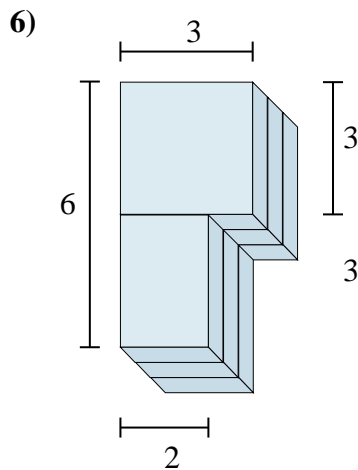
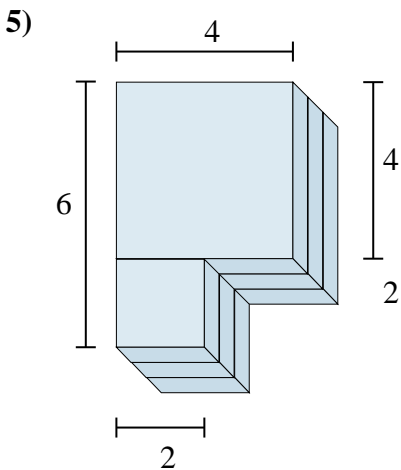
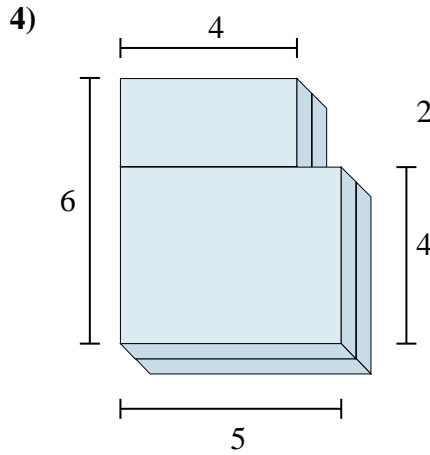
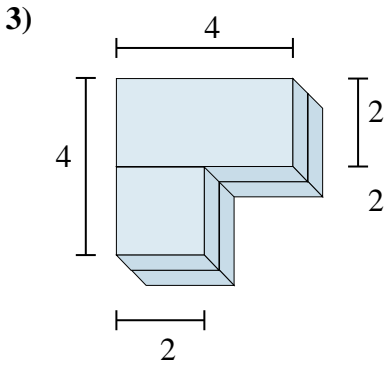
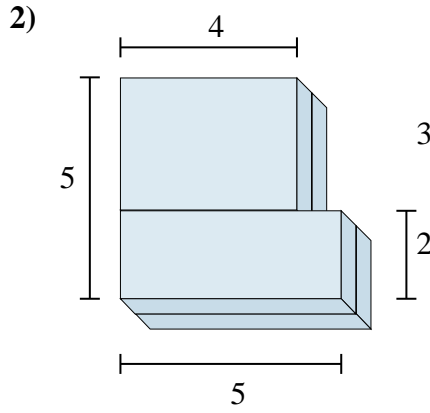
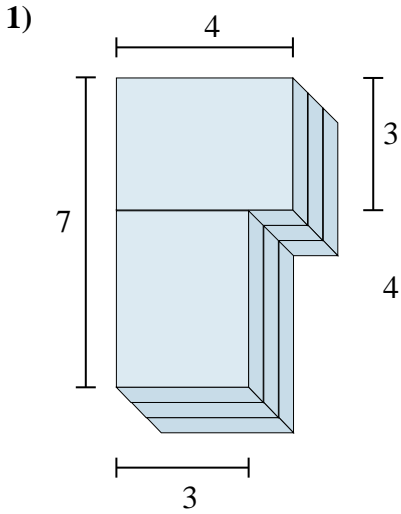
5. **60 cm<sup>3</sup>**

6. **45 cm<sup>3</sup>**



Find the total volume of each figure shown. Measured in cm (not to scale).

Answers



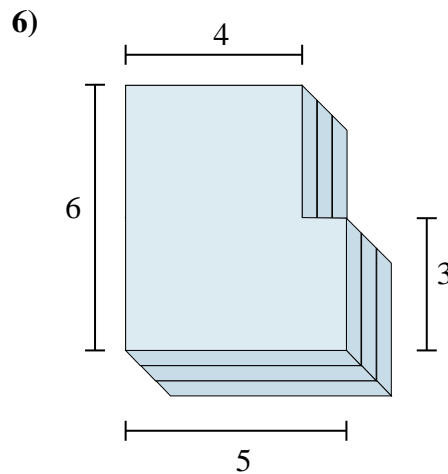
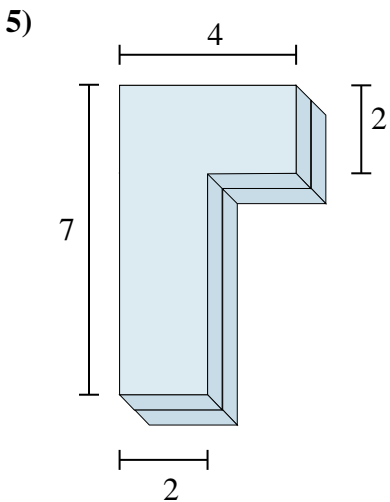
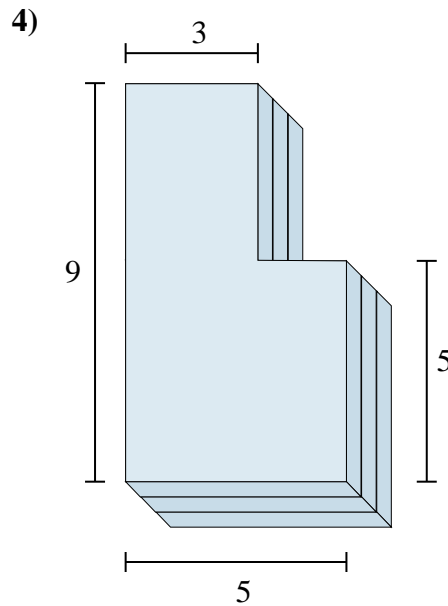
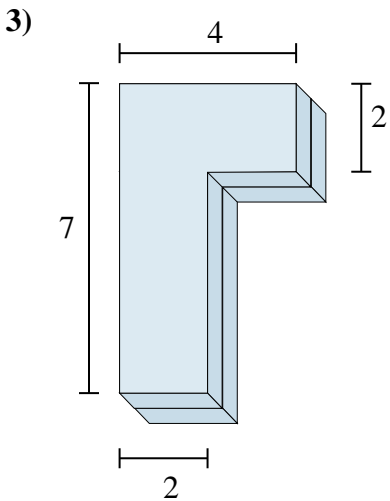
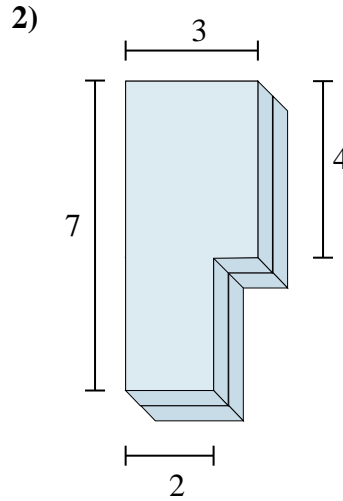
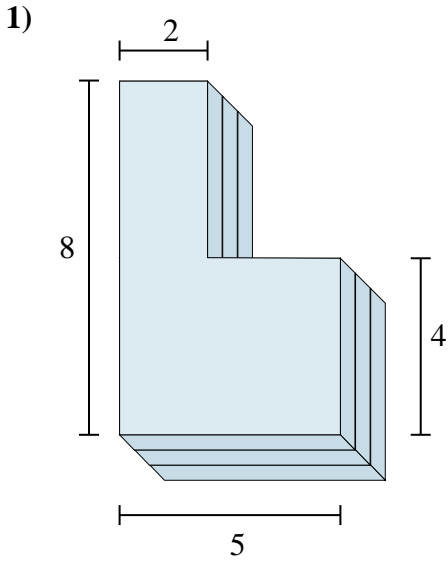
1. \_\_\_\_\_
2. \_\_\_\_\_
3. \_\_\_\_\_
4. \_\_\_\_\_
5. \_\_\_\_\_
6. \_\_\_\_\_





Find the total volume of each figure shown. Measured in cm (not to scale).

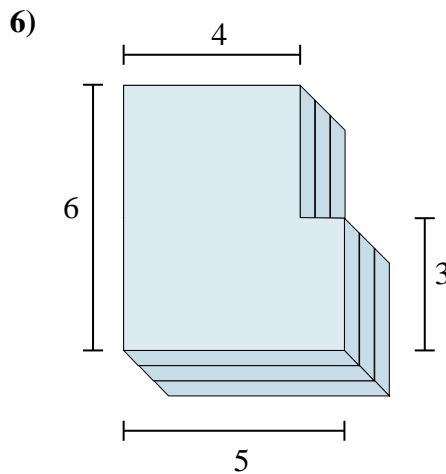
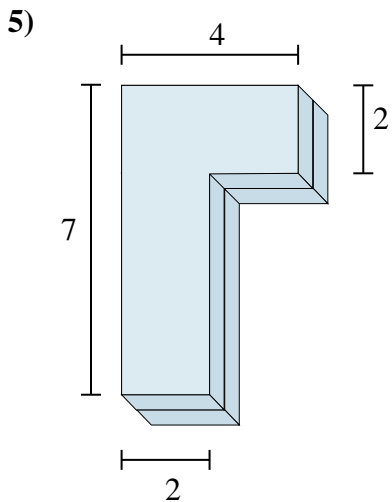
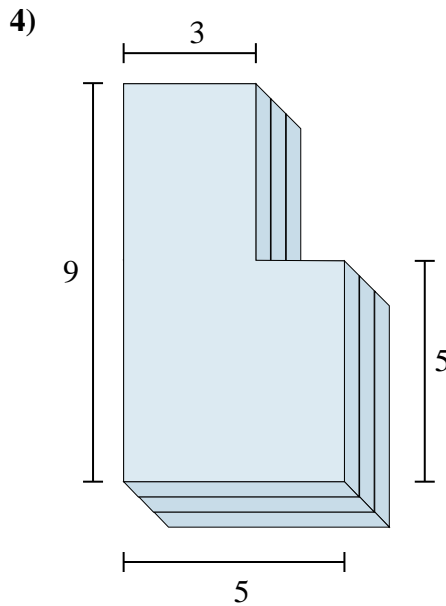
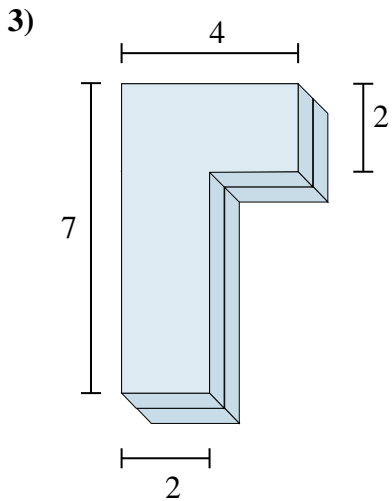
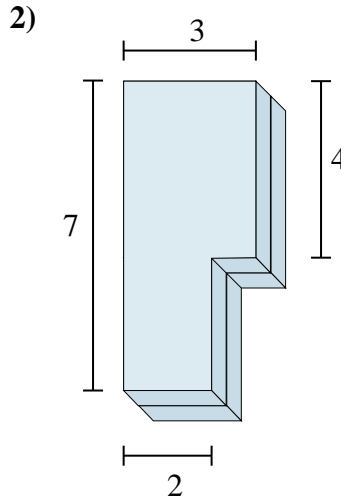
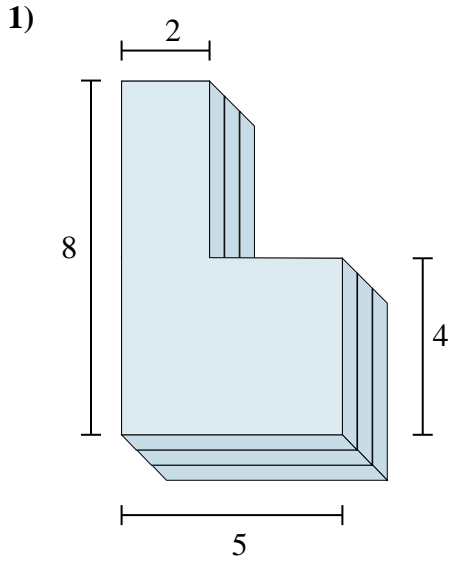
Answers



1. \_\_\_\_\_
2. \_\_\_\_\_
3. \_\_\_\_\_
4. \_\_\_\_\_
5. \_\_\_\_\_
6. \_\_\_\_\_



Find the total volume of each figure shown. Measured in cm (not to scale).



Answers

1. **84 cm<sup>3</sup>**

2. **36 cm<sup>3</sup>**

3. **36 cm<sup>3</sup>**

4. **111 cm<sup>3</sup>**

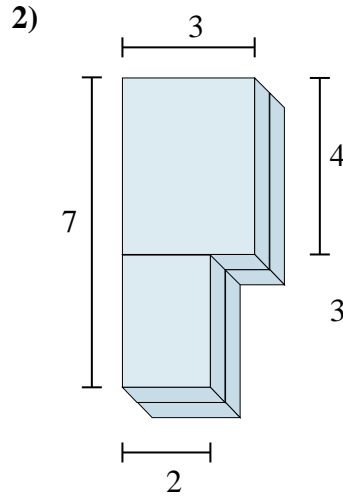
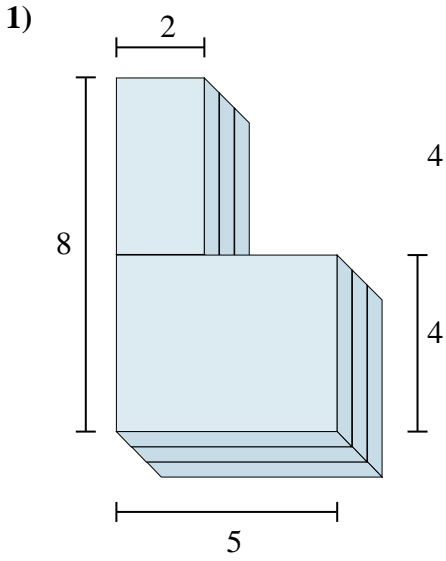
5. **36 cm<sup>3</sup>**

6. **81 cm<sup>3</sup>**

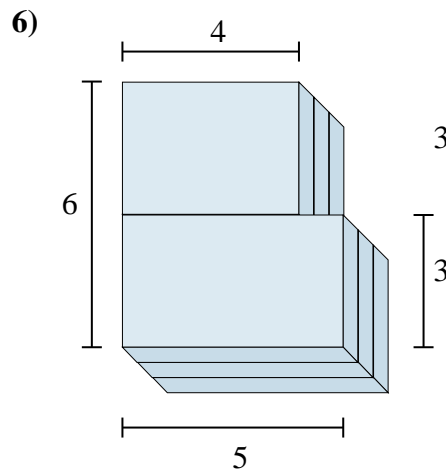
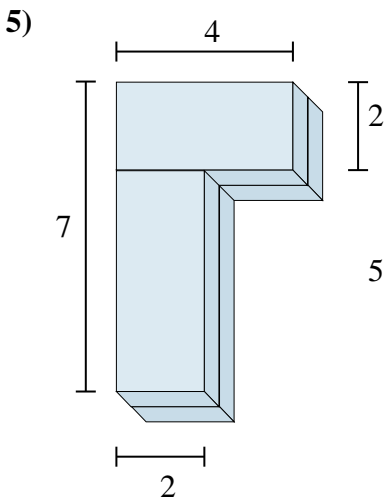
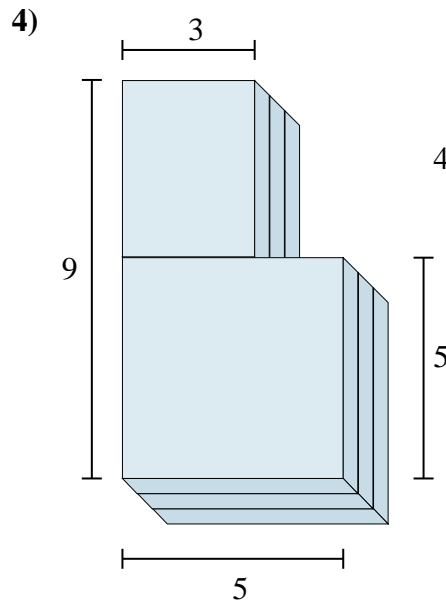
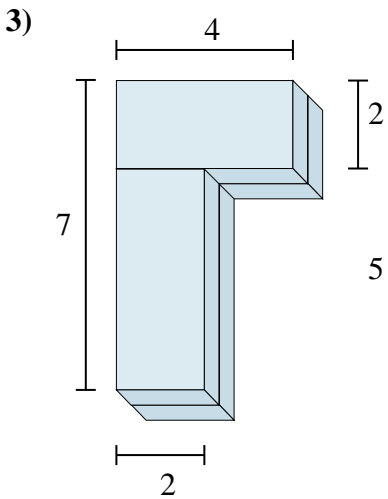


Find the total volume of each figure shown. Measured in cm (not to scale).

Answers



1. \_\_\_\_\_
2. \_\_\_\_\_
3. \_\_\_\_\_
4. \_\_\_\_\_
5. \_\_\_\_\_
6. \_\_\_\_\_

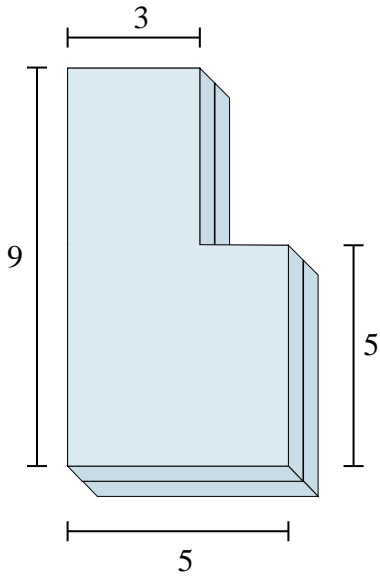




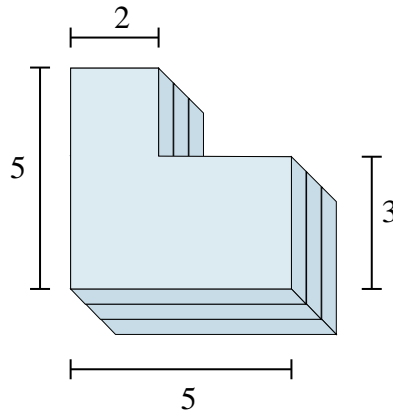
Find the total volume of each figure shown. Measured in cm (not to scale).

Answers

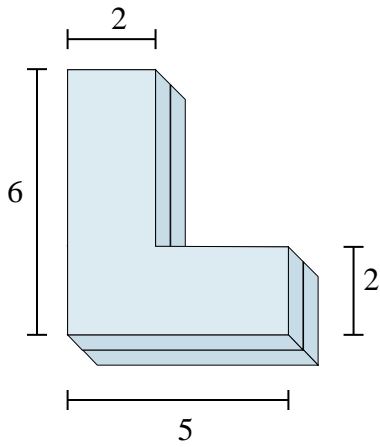
1)



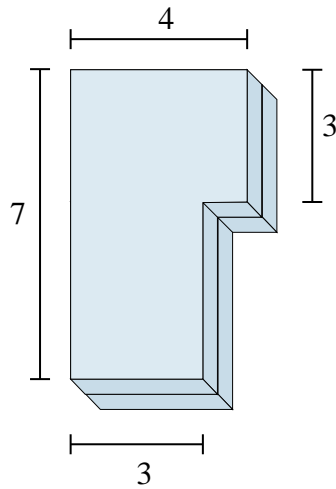
2)



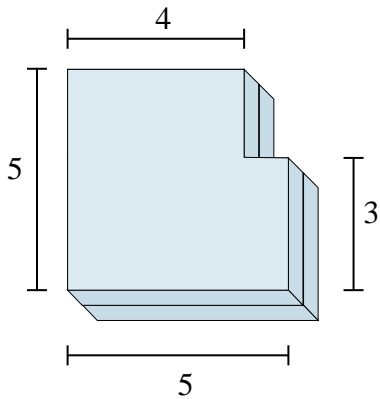
3)



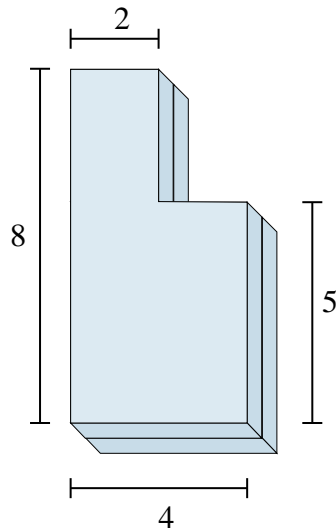
4)



5)



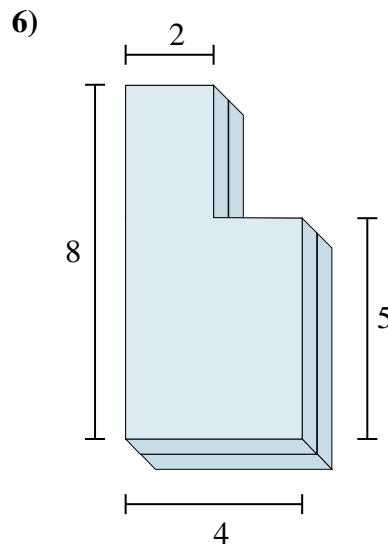
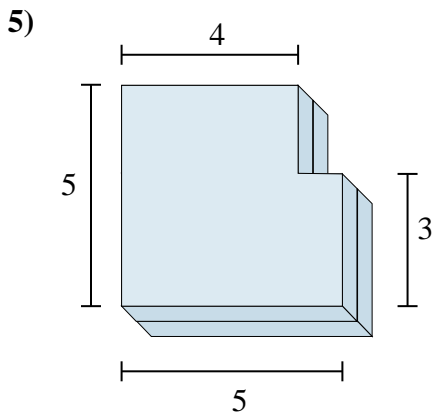
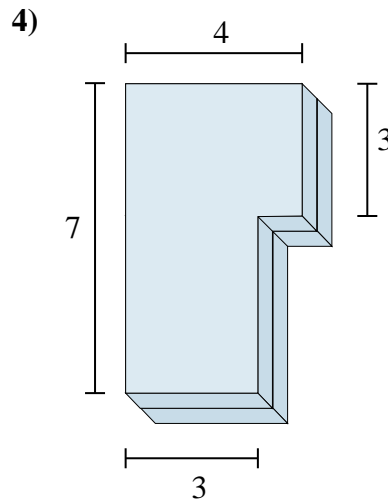
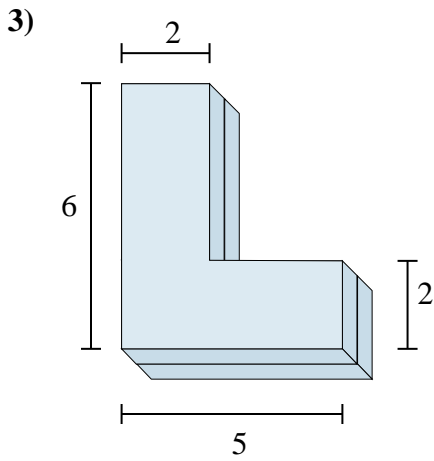
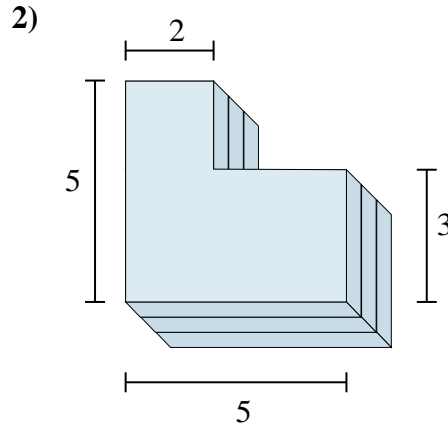
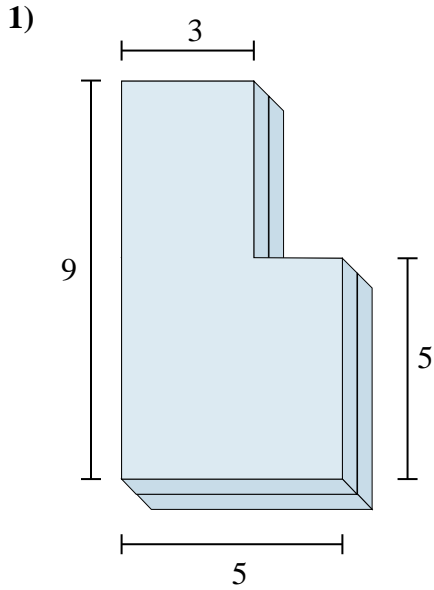
6)



1. \_\_\_\_\_
2. \_\_\_\_\_
3. \_\_\_\_\_
4. \_\_\_\_\_
5. \_\_\_\_\_
6. \_\_\_\_\_



Find the total volume of each figure shown. Measured in cm (not to scale).



Answers

1. **74 cm<sup>3</sup>**

2. **57 cm<sup>3</sup>**

3. **36 cm<sup>3</sup>**

4. **48 cm<sup>3</sup>**

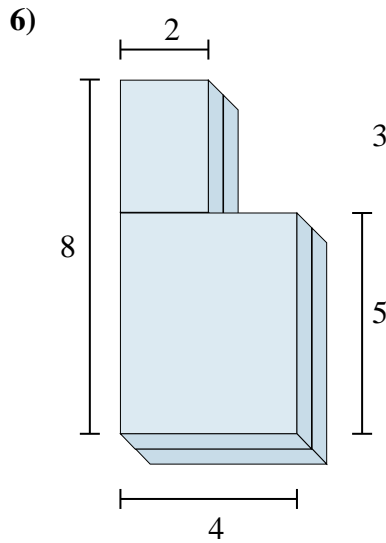
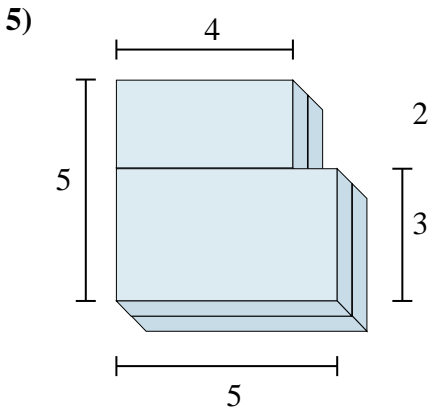
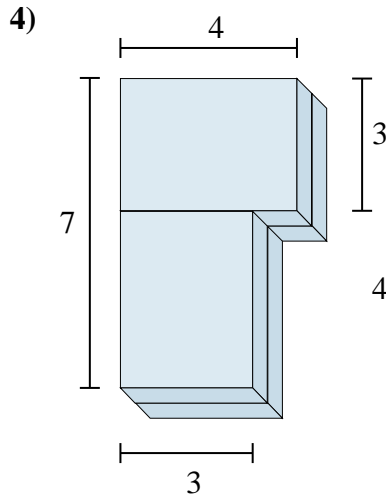
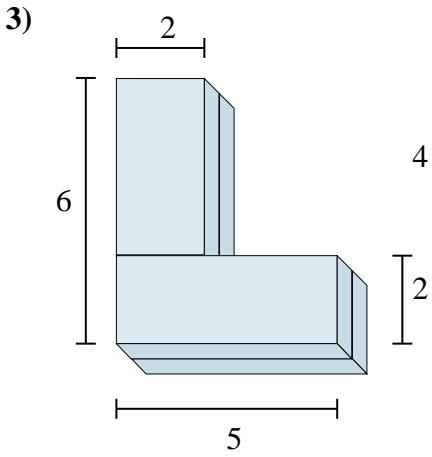
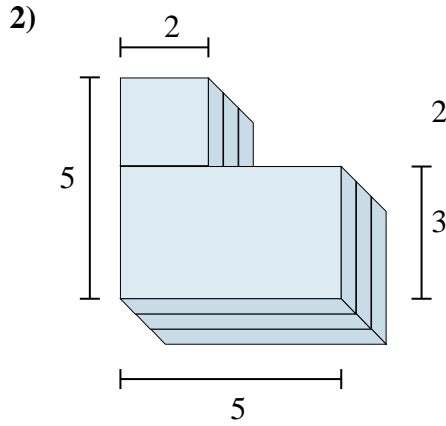
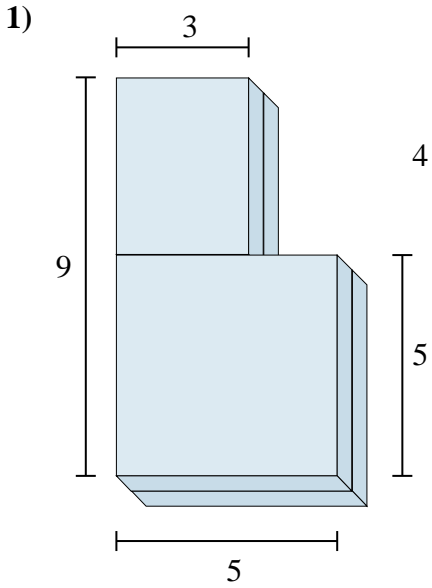
5. **46 cm<sup>3</sup>**

6. **52 cm<sup>3</sup>**



Find the total volume of each figure shown. Measured in cm (not to scale).

Answers



1. \_\_\_\_\_
2. \_\_\_\_\_
3. \_\_\_\_\_
4. \_\_\_\_\_
5. \_\_\_\_\_
6. \_\_\_\_\_